



**CHANCE RIDES MANUFACTURING, INC.**  
**4200 Walker**  
**Wichita, KS 67277-2328**  
**U.S.A.**  
Phone: 1-316-942-7411 • FAX: 1-316-942-2012  
**Website: [www.rides.com](http://www.rides.com)**  
**E-mail: [rides@rides.com](mailto:rides@rides.com)**

Bulletin No: B400CRM153-0  
Release Date: July 12, 2007  
Effective Date: July 12, 2007  
Supersedes: N / A  
Completion Date: September 12, 2007  
Page: 1 of 4

# SERVICE BULLETIN

Ride Manufacturer: CHANCE RIDES, MANUFACTURING, INC. Affected Production Dates: All  
CHANCE RIDES, INC.

Ride Name: GIANT GONDOLA WHEEL Affected Serial Nos.: All

Model No.: 400

Abstract of Issue:  
Rider Restrictions

Reason For Release:

Safety is the combined responsibility and effort by the ride manufacturer, the owner/operator and the patrons. In conjunction with the safety features provided by the manufacturer, additional safety precautions must be observed by the owner/operator.

Certain passenger restrictions are provided by the manufacturer. These restrictions can include, but are not limited to passenger height and other familiar physical conditions such as passengers who are ill or intoxicated, pregnant women, etc. Additional restrictions may be appropriate since a person's height and other physical characteristics do not necessarily correlate with mental or emotional stability or level of maturity.

The ride patron is essentially a stranger to an operator who has limited information as to the suitability of the person wanting to ride. When boarding riders, especially children, extra precautions must be considered to determine if a particular person can ride safely. Parents and caregivers may be unaware that the lack of physical passenger restraint system on some rides puts an unaccompanied child or an individual with certain mental or emotional conditions at risk of serious falls.

Factors to be considered when determining if a person can ride safely include, but are not limited to the following:

- a. The rider's physical ability to sit up and remain stable.
- b. The rider's ability to know, understand and follow instructions given by the ride operator.
- c. The possibility that the rider might become frightened, or might take dangerous risks while on the ride.

In the case of children, a parent, guardian, chaperone or similar supervising person may be required to help determine if a particular child can ride safely. Similar considerations would also apply with regard to persons with impaired or underdeveloped mental or emotional maturity.



**CHANCE RIDES MANUFACTURING, INC.**  
**4200 Walker**  
**Wichita, KS 67277-2328**  
**U.S.A.**  
 Phone: 1-316-942-7411 • FAX: 1-316-942-2012  
**Website: www.rides.com**  
**E-mail: rides@rides.com**

Bulletin No: B400CRM153-0  
 Release Date: July 12, 2007  
 Effective Date: July 12, 2007  
 Supersedes: N / A  
 Completion Date: September 12, 2007  
 Page: 2 of 4

Ride Manufacturer: CHANCE RIDES, MANUFACTURING, INC. Affected Production Dates: All  
 CHANCE RIDES, INC.

Ride Name: GIANT GONDOLA WHEEL Affected Serial Nos.: All

Model No.: 400

**Action to be Taken:**

All owner/operators of the above noted amusement rides must ensure that these and all passenger safety considerations are observed.

- No single riders.
- All children and riders with developmental limitations must be accompanied by a parent, guardian, chaperone or other supervising person. (**NOTE:** This supersedes the 42 inch minimum passenger height requirement previously published in the *GIANT GONDOLA WHEEL Service Manual* and on the ride information plaque).
- Ensure that all ride operators are instructed on the importance of passenger restrictions.
- Ensure that the ride is staffed with an adequate number of trained personnel to maintain safe operation.
- Provide signage, safety announcements, or other appropriate communications to instruct passengers about the action of this ride and all passenger restrictions. This information should be conveyed to the rider or the person responsible for the rider, as appropriate to your operation.
- Develop, implement and practice reasonable emergency procedures for events involving children and/or impaired riders.

In addition to these guidelines, Chance Rides Manufacturing, Inc. has developed safety signage to remind passengers of the potential fall hazard associated with this type of ride. The large sign must be posted at the front entrance area of the ride as shown on the following page of this bulletin. A smaller safety decal must be posted on the outside surface of the doors on each side of every gondola as shown on page 4.

Order and install the following parts within 60 days of the release date of this bulletin.

<b>Part Number</b>	<b>Description</b>	<b>Quantity</b>
406-838-014	Fall Hazard Safety Decal . . . . .	40 required
406-838-001	Entrance Safety Sign . . . . .	1 required

These parts will be made available at a reduced price for 60 days from the release date of this bulletin.

Observe all safety information contained in the manufacturer's manuals. Make available this bulletin and all related technical information to personnel using the equipment.

Chance Rides Manufacturing, Inc. issues notifications for the benefit of owners of amusement rides manufactured by Chance Rides Manufacturing, Inc. As a service to the industry, and in the interest of employee and public safety, Chance Rides Manufacturing, Inc. also issues notifications for the benefit of owners of amusement ride equipment for which the manufacturer no longer exists, such as the Allan Herschell Company, Chance Manufacturing Co., Inc., Chance Rides, Inc., etc. In doing so, Chance Rides Manufacturing, Inc. does not assume liability for losses associated with amusement ride equipment built by manufacturers other than Chance Rides Manufacturing, Inc.



**CHANCE RIDES MANUFACTURING, INC.**  
**4200 Walker**  
**Wichita, KS 67277-2328**  
**U.S.A.**  
 Phone: 1-316-942-7411 • FAX: 1-316-942-2012  
**Website: www.rides.com**  
**E-mail: rides@rides.com**

Bulletin No: B400CRM153-0  
 Release Date: July 12, 2007  
 Effective Date: July 12, 2007  
 Supersedes: N / A  
 Completion Date: September 12, 2007  
 Page: 3 of 4

Ride Manufacturer: CHANCE RIDES, MANUFACTURING, INC.  
 CHANCE RIDES, INC.

Affected Production Dates: All

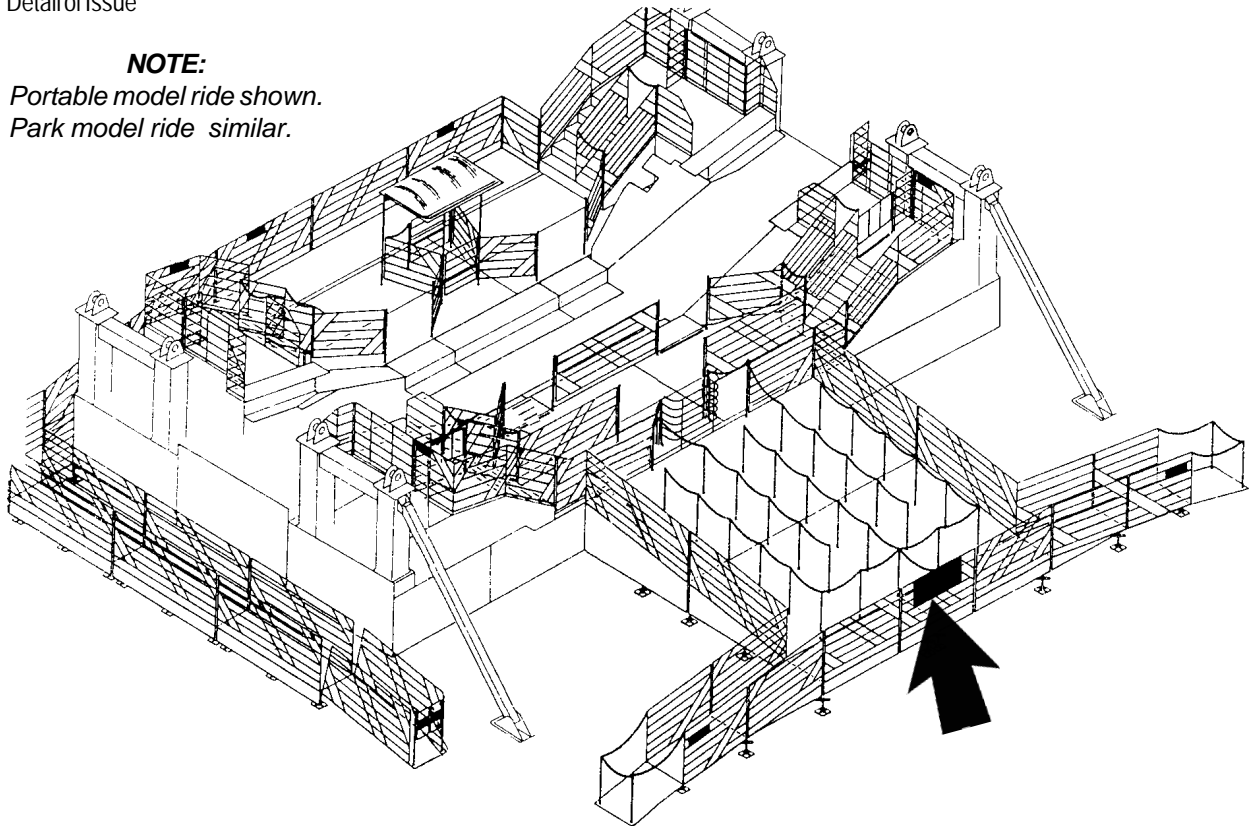
Ride Name: GIANT GONDOLA WHEEL

Affected Serial Nos.: All

Model No.: 400

Detail of Issue

**NOTE:**  
 Portable model ride shown.  
 Park model ride similar.



*Entrance Safety Sign  
 (part number 406-838-001)*

**NOTICE TO PASSENGERS**

1. NO SINGLE RIDERS.
2. CHILDREN AND PERSONS WITH DEVELOPEMENTAL LIMITATIONS MUST BE ACCOMPANIED BY A SUPERVISING PERSON. AN UNACCOMPANIED CHILD OR INDIVIDUAL WITH MENTAL OR EMOTIONAL LIMITATIONS CAN BE AT RISK OF SERIOUS FALLS.
3. PERSONS WHO ARE PREGNANT OR HAVE A CONDITION THAT COULD BE AGGRAVATED BY THIS RIDE SHOULD VIEW THE RIDE FOR POTENTIAL RISKS BEFORE RIDING.
4. PERSONS WHO ARE VISIBLY ILL OR UNDER THE INFLUENCE OF DRUGS OR ALCOHOL ARE NOT PERMITTED TO RIDE.
5. STAY SEATED AT ALL TIMES.
6. KEEP HANDS AND ARMS INSIDE GONDOLA AREA.
7. DO NOT THROW OBJECTS FROM GONDOLA.

**! WARNING**

**FALL HAZARD**

This ride does not have seat belts or other passenger restraint devices.

Children and riders with developmental limitations must be accompanied by a supervising person to ensure that the rider remains seated properly during the ride.



**CHANCE RIDES MANUFACTURING, INC.**  
4200 Walker  
Wichita, KS 67277-2328  
U.S.A.  
Phone: 1-316-942-7411 • FAX: 1-316-942-2012  
Website: [www.rides.com](http://www.rides.com)  
E-mail: [rides@rides.com](mailto:rides@rides.com)

Bulletin No: B400CRM153-0  
Release Date: July 12, 2007  
Effective Date: July 12, 2007  
Supersedes: N / A  
Completion Date: September 12, 2007  
Page: 4 of 4

Ride Manufacturer: CHANCE RIDES, MANUFACTURING, INC.  
CHANCE RIDES, INC.

Affected Production Dates: All

Ride Name: GIANT GONDOLA WHEEL

Affected Serial Nos.: All

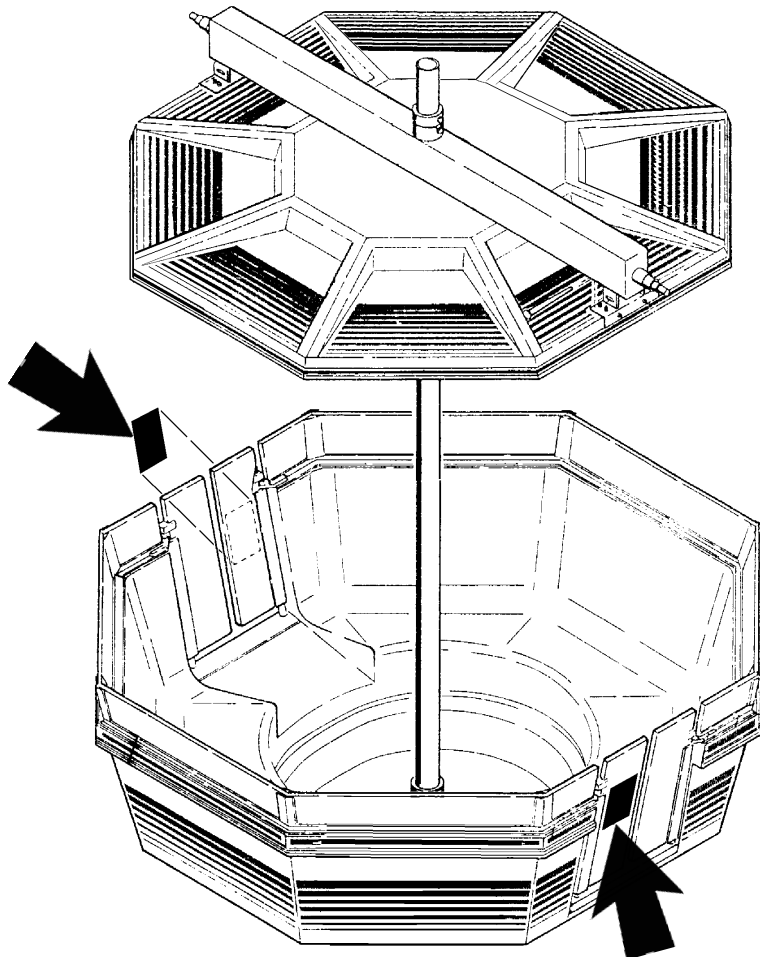
Model No.: 400

Detail of Issue (continued):

**⚠ WARNING**  
**FALL HAZARD**

This ride does not have seat belts or other passenger restraint devices.

Children and riders with developmental limitations must be accompanied by a supervising person to ensure that the rider remains seated properly during the ride.



*Fall Hazard Safety Decal  
(part number 406-838-014)*