

NAFLIC

National Association For Leisure Industry Certification

Standards & Related Documents Committee

TECHNICAL BULLETIN — July 2014

371. Zierer Circular Letter – Tivoli Coasters

The committee has received the attached Circular Letter from Zierer following an incident.

Shear/trap hazards between open sided coaster cars and station platforms can occur on this and many other coaster types. Some examples of methods of reducing the risk are outlined in the Zierer letter.

The information contained within is that of the manufacturer and not NAFLIC. When following the advice from the manufacturer, you are reminded of your duties and responsibilities under HSG175 regarding modifications.



Karussell- und Spezial-
maschinenbau GmbH

■ ZIERER Karussell- und Spezialmaschinenbau GmbH
Josef-Wallner-Str. 10, D-94469 Deggendorf

Versand-/Lieferanschrift:

Delivery Address:

Neuhausen
Moosgasse 4
D-94560 Offenberg

Telefon:

(+49) 991 91060 Zentrale
(+49) 991 910655 Service

Telefax:

(+49) 991 910684 Verkauf/Sales
(+49) 991 910683 Service
(+49) 991 910624 Technik/
Engineering

E-Mail:

info@zierer.com
service@zierer.com

Internet:

www.zierer.com

Ihre Nachricht vom:
Your message dated:

Ihre Zeichen:
Your reference:

Unser Zeichen:
Our reference:
wmt

Tel.-Durchwahl:
Direct Line:
+49 991 9106-55

Datum:
Date:
03.09.2012

Circular Letter Zierer – Tivoli Coaster / I-Track Coaster

Dear Customer,

We hereby inform you that one of our Tivoli Coasters has had an accident.

A passenger had stretched out his leg during a ride and injured himself in a collision with the station platform at the station entrance.

For this purpose, we would like to draw your attention to the information signs that need to be posted on your ride facility and warn the passengers not to extend body parts / limbs, such as arms or legs, out of the vehicles. We furthermore would like to recommend the following options to prevent accidents, should the warning signs be ignored.

Item [1.1] Boarding Parts



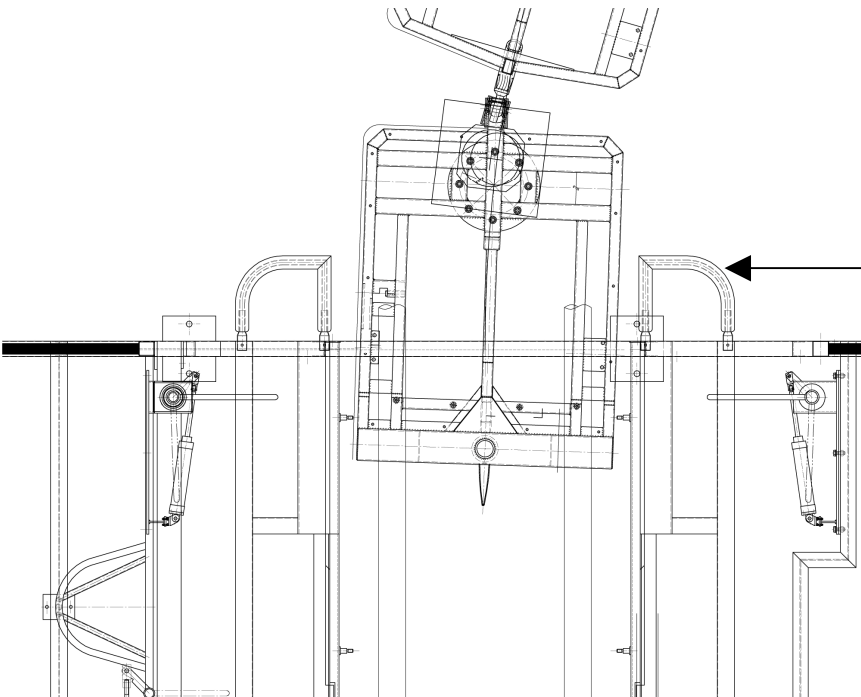
Zierer Boarding Part
made of fibreglass

Item [1.2] Ramp at Platform



Ramp

Item [1.3] Deflector Bars



Zierer Item No. BW090329:
upholstered deflector bar

Best Regards

ZIERER Karussell- und Spezialmaschinenbau GmbH
Martin Weinberger

A handwritten signature in black ink, appearing to read "Martin Weinberger".