

# NAFLIC

*National Association For Leisure Industry Certification*

Standards & Related Documents Committee

TECHNICAL BULLETIN — July 2014

## 378. Zierer Wave Swinger Service Bulletin

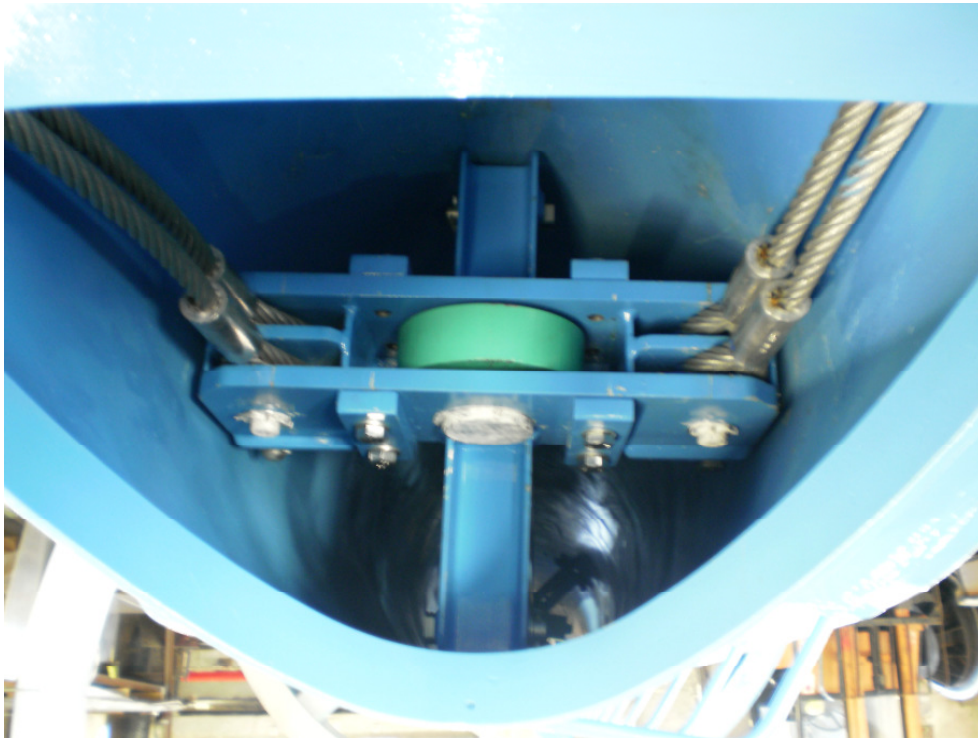
The committee has received the attached Service Bulletin from Zierer regarding modifications to their Wave Swinger device. The modification consists of the addition of a slack rope sensor and two secondary fixings for the hydraulic cylinders. This modification is a recommendation from the manufacturer.

*The information contained within is that of the manufacturer and not NAFLIC. When following the advice from the manufacturer, you are reminded of your duties and responsibilities under HSG175 regarding modifications.*

Committee Members: Mr. D Dadswell (Chairman), Mr. A Mellor (Secretary), Mr. P Smith, Mr. J Green, Mr. P Mitchell,  
Mr. D Cox, Mr. M Thirkettle, Mr. W Gilbert, Mr. H Fisher, Mr. J Shilling & Mr. D Inman



### 3.2. Hydraulic Cylinder – Safeguarding Guide Cross Top

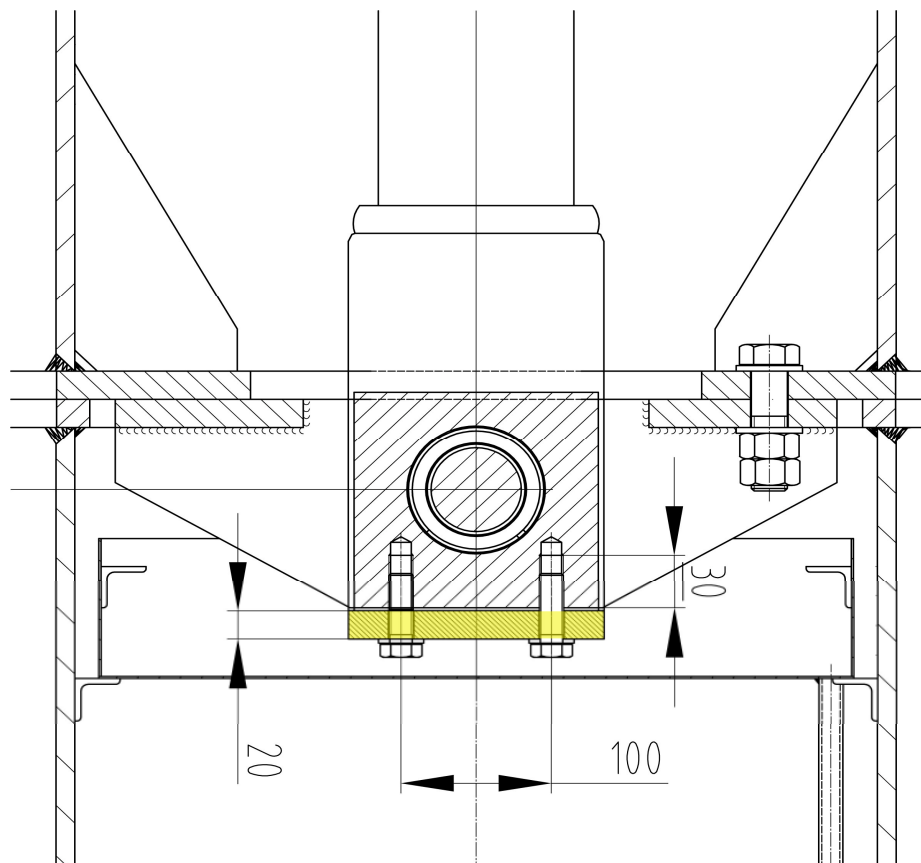


[Lifting Cylinder-safeguarding \[top\] Zierer Article: HZ020078](#)

2 items of additional fork-safeguardings prevent the cylinder joint head from slipping away in the event of a breakage of the suspension. The fork-safeguardings are installed axially with a set of 4 screws each, and a distance of 138 mm to one another, at the guide cross.

Zierer Bulletin #	Revision:	Page	System	Description:	Date:	Issued:
SB-WS-1001	0	2 of 4	Wave Swinger	Service Bullitin	17.12.2012	wmt

### 3.3. Hydraulic Cylinder – Safeguarding Cylinder Clamping Bottom



#### Lifting Cylinder-Safeguarding [bottom] Zierer Article: HZ020079

1 item of additional counter-plate prevents the release of the cylinder clamping in the event of a breakage of the suspension. With this plate, the cylinder is additionally secured. The plate is bolted in the center with 2 screws to the cylinder eye.

Zierer Bulletin #	Revision:	Page	System	Description:	Date:	Issued:
SB-WS-1001	0	3 of 4	Wave Swinger	Service Bullitin	17.12.2012	wmt



#### 4) Contact

For additional informations regarding installation, details and pricing of the mentioned modifications above, contact the:

**ZIERER Karussell- und Spezialmaschinenbau GmbH**

Moosgasse 4  
D-94560 Offenberg

**Mr. Martin Weinberger**

Phone: (+49) 991 9106 55  
Fax: (+49) 991 9106 83

E-Mail: [m.weinberger@zierer.com](mailto:m.weinberger@zierer.com)  
Internet: [www.zierer.com](http://www.zierer.com)

Zierer Bulletin #	Revision:	Page	System	Description:	Date:	Issued:
SB-WS-1001	0	4 of 4	Wave Swinger	Service Bullitin	17.12.2012	wmt