



CHANCE RIDES MANUFACTURING, INC.
4200 Walker
Wichita, KS 67277-2328
U.S.A.
Phone: 1-316-942-7411 • FAX: 1-316-942-2012
Website: www.chancerides.com
E-mail: rides@chancerides.com

Bulletin No: B403CRM174-0
Release Date: September 5, 2012
Effective Date: September 5, 2012
Supersedes: N/A
Completion Date: September 19, 2012
Page: 1 of 3

SERVICE BULLETIN

Ride Name: 20-FOOT CARROUSEL (Model 409) Affected Serial Nos.: All Units
36-FOOT CARROUSEL (Model 404)
36-FOOT PTC CARROUSEL (Model 416)
36-FOOT DOUBLE DECKER CARROUSEL (Model 420)
28-FOOT CARROUSEL (Model 403)
28-FOOT PTC CARROUSEL (Model 415)
28-FOOT DOUBLE DECKER CARROUSEL (Model 426)
50-FOOT CARROUSEL (Model 405)

Model Nos.: 403, 404, 405, 409, , 415, 416, 420 and 426

Abstract of Issue:
Crankshaft Inspection

Reason For Release:
Chance Rides Manufacturing, Inc. has become aware of a failure of a CARROUSEL crankshaft. Failure of a crankshaft can result in the figure and/or the broken portion of the crankshaft falling. This can result in personal injury to passengers or bystanders.

Many factors can contribute to shortened service life of the crankshafts. These factors include, but are not limited to:

- Excessive backlash of the crankshaft drive box pinions
- Loose, worn or poorly maintained crankshaft U-joints
- Frequent and/or excessive ride operation with unbalanced loads
- Improper maintenance of the crankshaft bearings, horse pedestals and/or horse hanger bearings
- Heavy riders and/or heavy figures

This bulletin is being released to emphasize the importance of the monthly inspection of all crankshafts and related parts. These procedures are described in the appropriate *CARROUSEL Service Manual*. Additional details of the inspection procedure are provide in this bulletin.

Action to be Taken:
Chance Rides Manufacturing, Inc. requires all owner/operators of the above noted CARROUSEL amusement rides to inspect the crankshafts within 15 days of the issue date of this bulletin. Additional information about the inspection procedure and specific areas to be inspected are detailed on the following pages. This is a monthly inspection.

If any indications are found, the crankshaft must be replaced. Do not allow passengers to ride the figures connected to that crankshaft until the replacement crankshaft is installed.

All work must be performed by qualified personnel, capable of understanding the function of the parts and their proper installation. Use only those components authorized, specified or provided by Chance Rides Manufacturing, Inc. All applicable OSHA safety standards and safe industry practices must be observed.

Observe all safety information contained in the manufacturer's manuals. Make available this bulletin and all related technical information to personnel using the equipment.



CHANCE RIDES MANUFACTURING, INC.
4200 Walker
Wichita, KS 67277-2328
U.S.A.
Phone: 1-316-942-7411 • FAX: 1-316-942-2012
Website: www.chancerides.com
E-mail: rides@chancerides.com

Bulletin No: B403CRM174-0
Release Date: September 5, 2012
Effective Date: September 5, 2012
Supersedes: N/A
Completion Date: September 19, 2012
Page: 2 of 3

Ride Manufacturer: CHANCE RIDES, INC. Affected Production Dates: All
CHANCE RIDES MANUFACTURING CO., INC.

Ride Name: 20-FOOT CARROUSEL (Model 409) Affected Serial Nos.: All Units
36-FOOT CARROUSEL (Model 404)
36-FOOT PTC CARROUSEL (Model 416)
36-FOOT DOUBLE DECKER CARROUSEL (Model 420)
28-FOOT CARROUSEL (Model 403)
28-FOOT PTC CARROUSEL (Model 415)
28-FOOT DOUBLE DECKER CARROUSEL (Model 426)
50-FOOT CARROUSEL (Model 405)

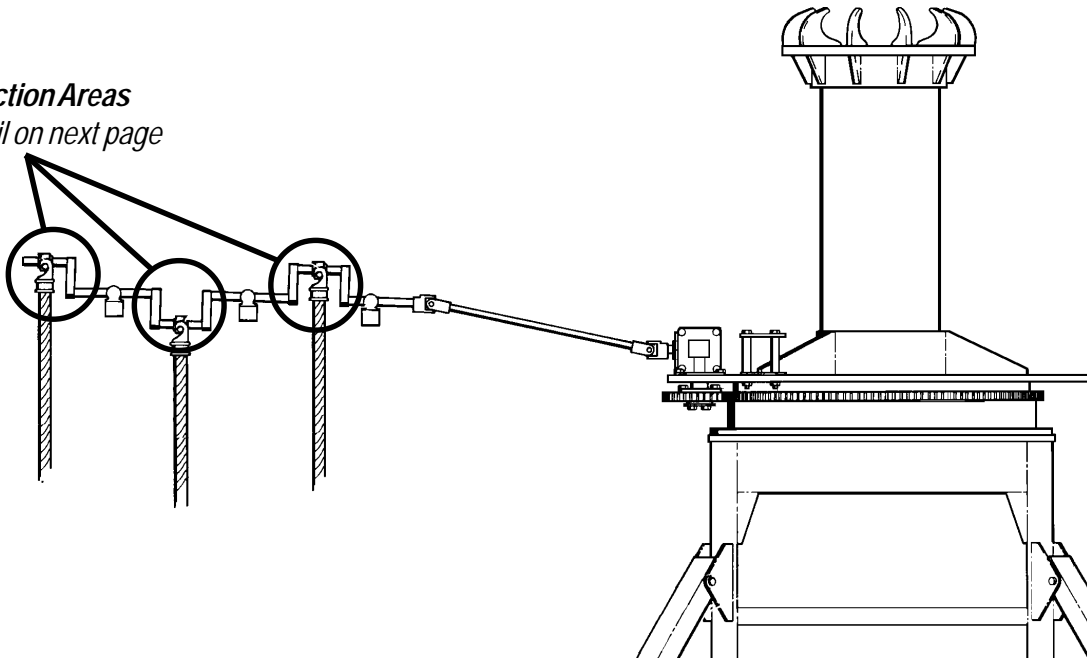
Model Nos.: 403, 404, 405, 409, , 415, 416, 420 and 426

Detail of Issue

Crankshaft Inspection Procedure

This visual inspection is required on every crankshaft. This is a monthly inspection, and it applies to every crankshaft on the ride.

Inspection Areas
See detail on next page



NOTE: 36-FOOT CARROUSEL shown. Other models are similar.



CHANCE RIDES MANUFACTURING, INC.
4200 Walker
Wichita, KS 67277-2328
U.S.A.
Phone: 1-316-942-7411 • FAX: 1-316-942-2012
Website: www.chancerides.com
E-mail: rides@chancerides.com

Bulletin No: B403CRM174-0
Release Date: September 5, 2012
Effective Date: September 5, 2012
Supersedes: N/A
Completion Date: September 19, 2012
Page: 3 of 3

Ride Manufacturer: CHANCE RIDES, INC. Affected Production Dates: All
CHANCE RIDES MANUFACTURING CO., INC.

Ride Name: 20-FOOT CARROUSEL (Model 409) Affected Serial Nos.: All Units
36-FOOT CARROUSEL (Model 404)
36-FOOT PTC CARROUSEL (Model 416)
36-FOOT DOUBLE DECKER CARROUSEL (Model 420)
28-FOOT CARROUSEL (Model 403)
28-FOOT PTC CARROUSEL (Model 415)
28-FOOT DOUBLE DECKER CARROUSEL (Model 426)
50-FOOT CARROUSEL (Model 405)

Model Nos.: 403, 404, 405, 409, , 415, 416, 420 and 426

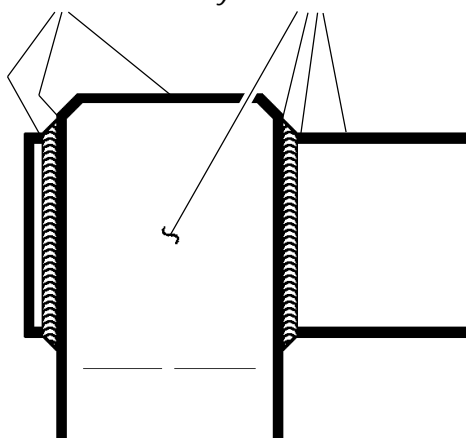
Detail of Issue (continued):

Crankshaft Inspection Procedure (continued from previous page)

Visually inspect the weld, the shaft and the throw in the area shown. Look for indications in the weld and the heat affected area of the parent metal.

INSPECTION AREA

*Inspect the weld and the parent metal
in the area near every crankshaft throw*



If any indications are found, the crankshaft must be replaced. Contact the Customer Service Department at CHANCE RIDES MANUFACTURING, INC. for replacement parts. Do not allow passengers to ride the figures connected to that crankshaft until the crankshaft is replaced.

Chance Rides Manufacturing, Inc. issues notifications for the benefit of owners of amusement rides manufactured by Chance Rides Manufacturing, Inc. As a service to the industry, and in the interest of employee and public safety, Chance Rides Manufacturing, Inc. also issues notifications for the benefit of owners of amusement ride equipment for which the manufacturer no longer exists, such as the Allan Herschell Company, Chance Manufacturing Co., Inc., Chance Rides, Inc., etc. In doing so, Chance Rides Manufacturing, Inc. does not assume liability for losses associated with amusement ride equipment built by manufacturers other than Chance Rides Manufacturing, Inc.