



A.R.M. (US) Inc.  
1506 Fernwood Dr.  
Wintersville, OH 43953  
Telephone: (740) 264-6599  
Fax: (740) 266-2953

Bulletin No.: SB090710  
Release Date: 09/07/2010  
Effective Date: 09/07/2010  
Supersedes: NA  
Completion Date: Immediately  
Page: 1 of 5

## SAFETY ALERT

<b>RIDE MANUFACTURER:</b>	A.R.M. (US) Inc.
<b>AFFECTED PRODUCTION DATES:</b>	July 2009 thru August 2010
<b>RIDE NAME:</b>	Vertigo
<b>AFFECTED SERIAL NO.(s):</b>	VG101-07-01-09, VG102-07-01-10, VG201-01-30-10, VG202-03-13-10 VG203-05-01-10, VG204-06-10-10, VG205-08-15-10
<b>MODEL NUMBER(s):</b>	VG100 and VG200

**ABSTRACT OF ISSUE:** Improper Perimeter Fence Set Up / Shape

### REASON FOR RELEASE:

Due to improper perimeter fence shape during operation, an incident involving a patron(s) riding in a swing seat has occurred. The patron(s) came into contact with the perimeter fence while the ride was still spinning as it came into the loading / unloading area.

### ACTION TO BE TAKEN: (INSPECTION, MODIFICATION, REPLACEMENT, NDT, ORDER PARTS, MANUAL REVISION, PROCEDURAL CHANGE, ETC.)

It is imperative that the daily inspection of the perimeter fence shape and dimension be done as indicated in the ride manual and illustrated on the ride information tag to ensure passenger safety.

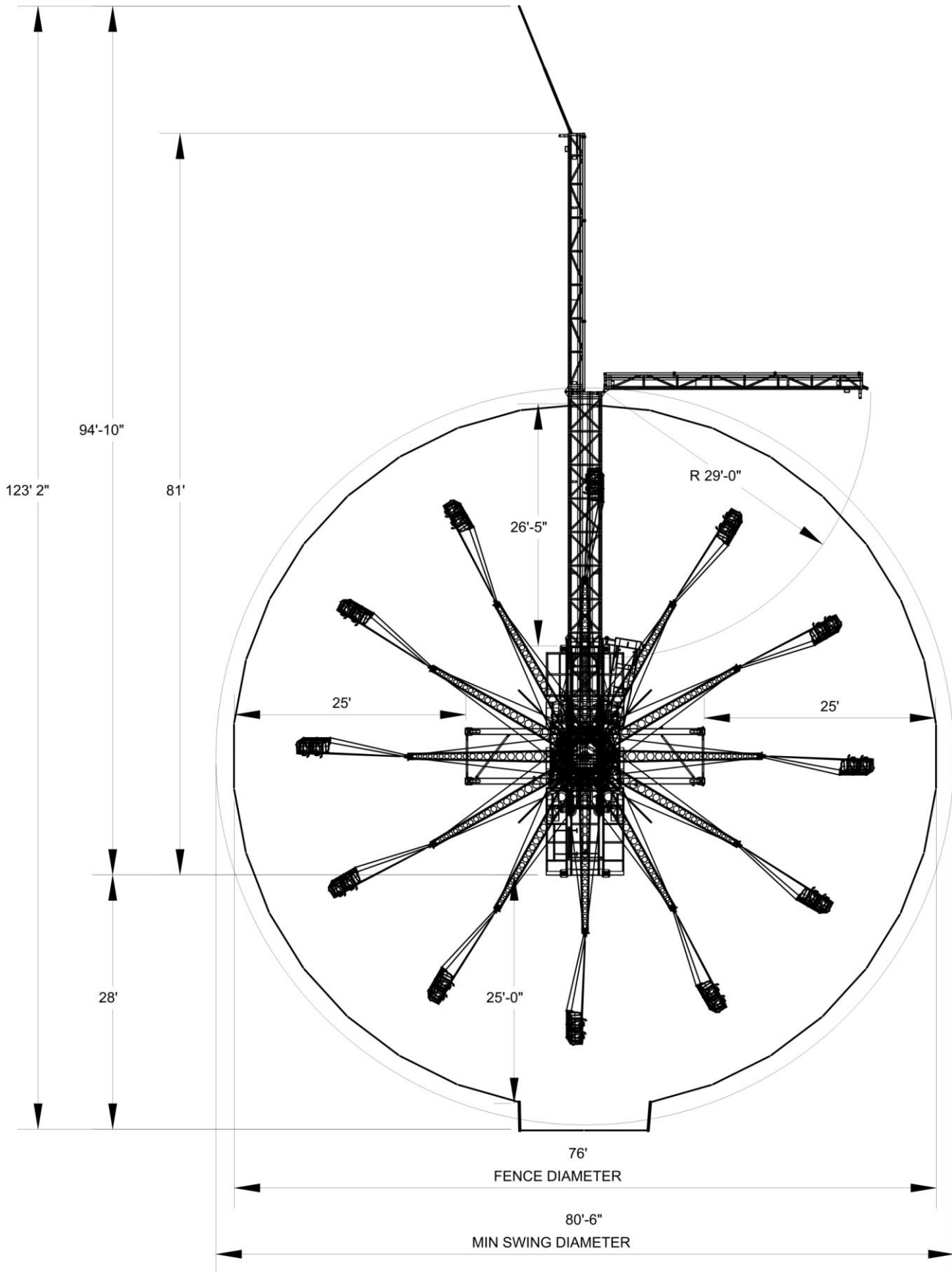
As an added safety measure, 6 additional perimeter fence sections are being added to increase the perimeter diameter to 76/ft. The number of fence panels shall increase from 28/pcs to 34 pcs. These additional sections will allow for a larger margin of error in set up due to issues such as, Set up error, and Daily inspection error and or uneven terrain.

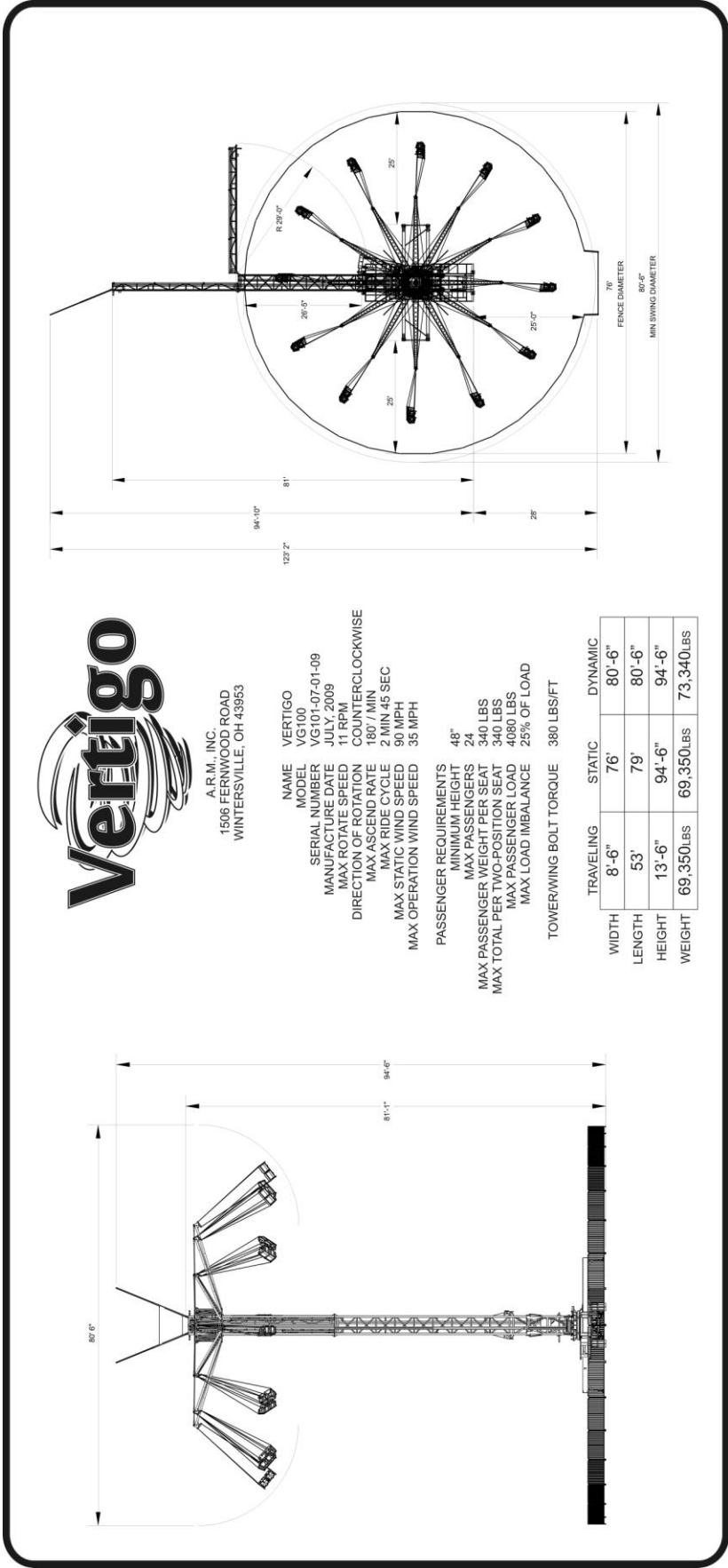
Replacement of the existing ride information tag is necessary. New ride information tags are being printed and must be installed once received. Until this time, the illustrations provided on the following pages of this bulletin must be used.

Upon receipt of this bulletin please contact the parts department at 740-264-6599 Ext. 123 to provide a current shipping address.

### DETAIL OF ISSUE:

Please note: Perimeter Fence Illustration and new Ride Information Tag on the following pages.





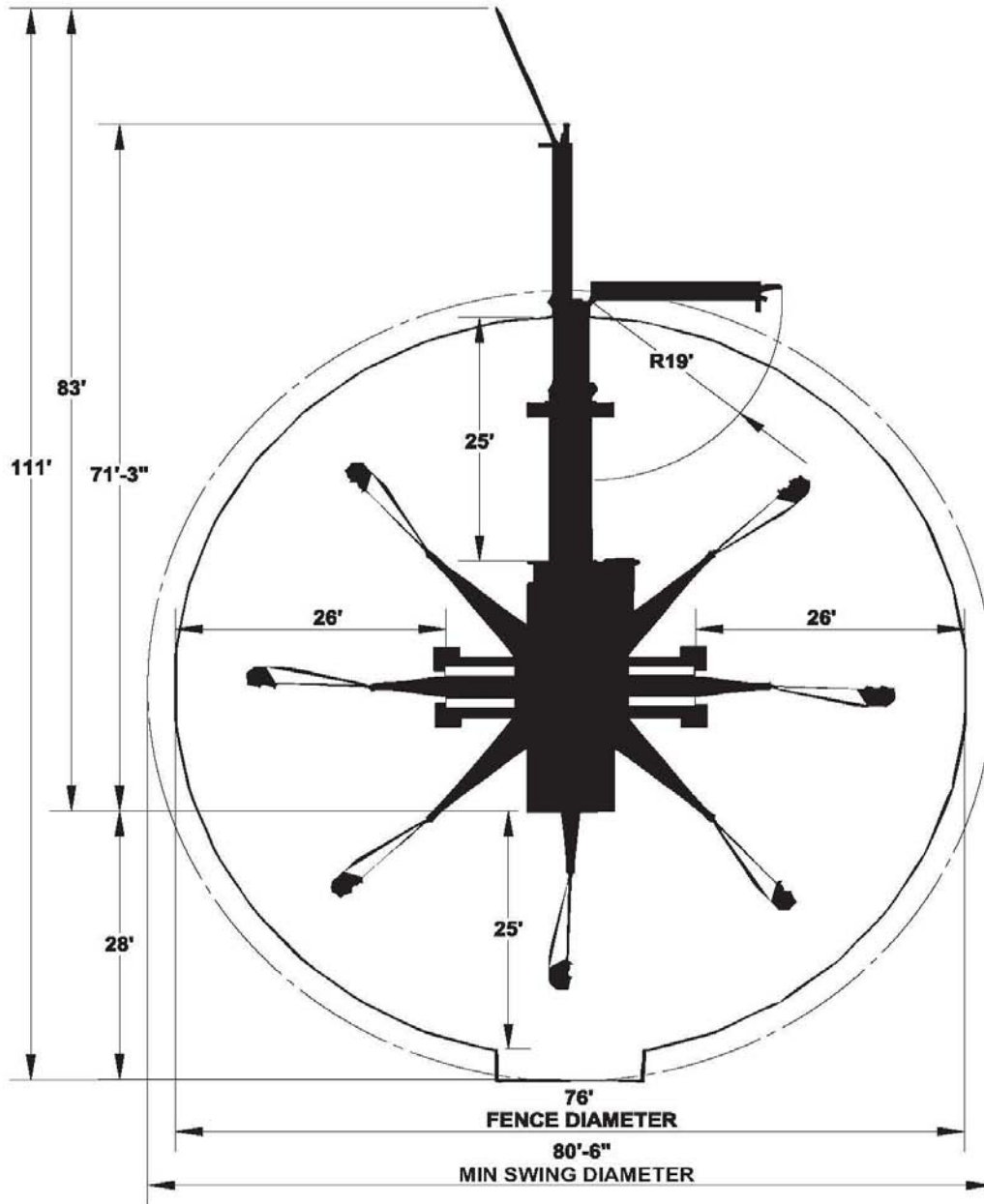
A.R.M., INC.  
1506 FERNWOOD ROAD  
WINTERSVILLE, OH 43953

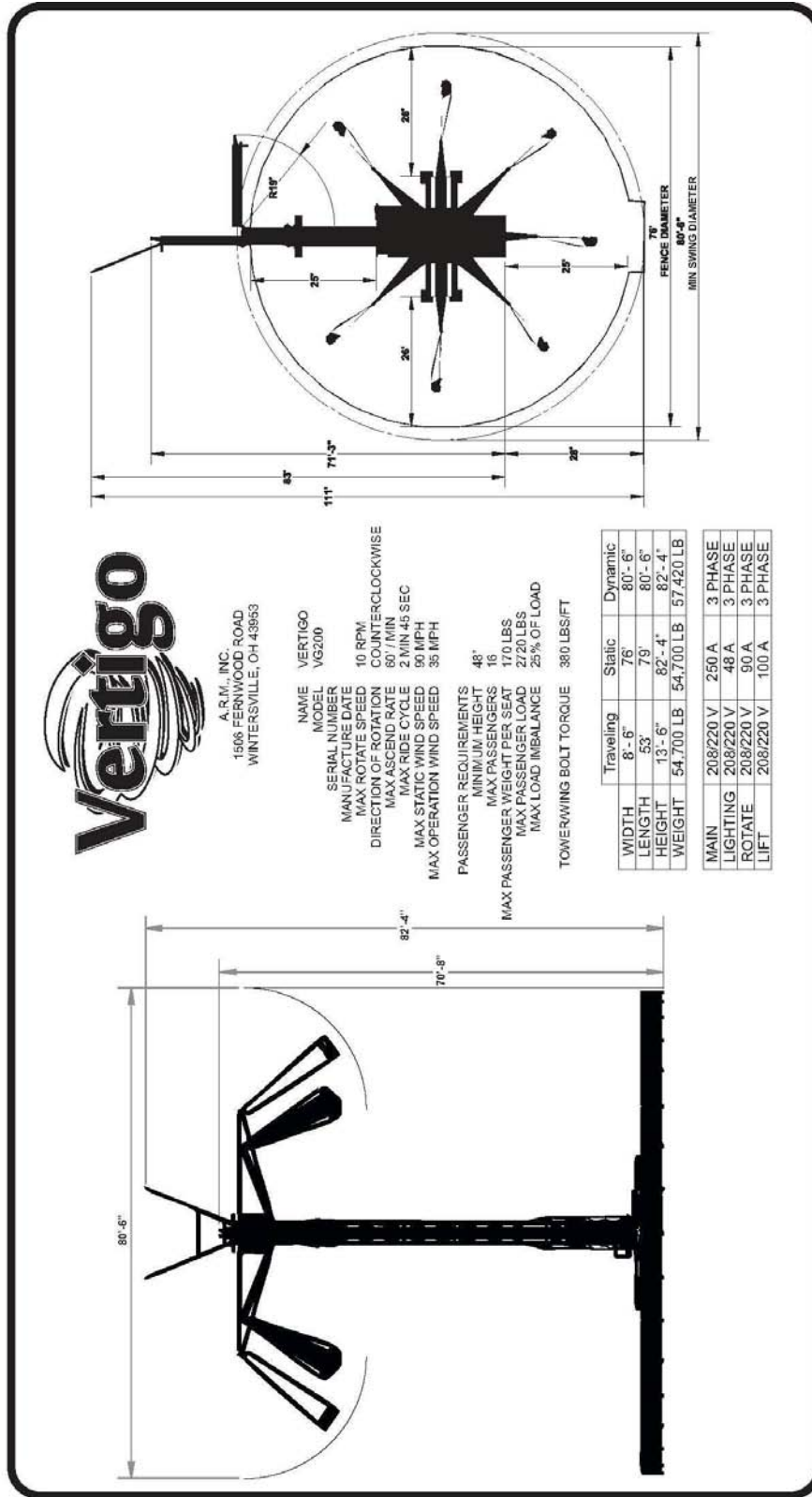
NAME VERTIGO  
MODEL VG100  
SERIAL NUMBER VG100-07-01-09  
MANUFACTURE DATE JULY 2009  
MAX ROTATE SPEED 11 RPM  
DIRECTION OF ROTATION COUNTERCLOCKWISE  
MAX ASCEND RATE 180°/MIN  
MAX RIDE CYCLE 2 MIN 45 SEC  
MAX STATIC WIND SPEED 90 MPH  
MAX OPERATION WIND SPEED 35 MPH

PASSENGER REQUIREMENTS  
MINIMUM HEIGHT 48"  
MAX PASSENGERS 24  
MAX PASSENGER WEIGHT PER SEAT 340 LBS  
MAX TOTAL PER TWO-POSITION SEAT 340 LBS  
MAX PASSENGER LOAD 4080 LBS  
MAX LOAD IMBALANCE 25% OF LOAD

TOWERING BOLT TORQUE 380 LBS/FT

	TRAVELING	STATIC	DYNAMIC
WIDTH	8'-6"	76'	80'-6"
LENGTH	53'	79'	80'-6"
HEIGHT	13'-6"	94'-6"	94'-6"
WEIGHT	69,350.LBS	69,350.LBS	73,340.LBS





**NOTICE**

Only components specified, authorized, or provided by A.R.M. (US) INC. shall be used. A.R.M. (US) INC. **SPECIFICALLY DISCLAIMS ANY LIABILITY** associated with the use of unauthorized components or modifications and/or alterations of authorized components.