



CHANCE RIDES MANUFACTURING, INC.
4200 Walker
Wichita, KS 67277-2328
U.S.A.
Phone: 1-316-942-7411 • FAX: 1-316-942-2012
Website: www.rides.com
E-mail: rides@rides.com

Bulletin No: B406CRM163-0
Release Date: May 15, 2009
Effective Date: May 15, 2009
Supersedes: N / A
Completion Date: June 15, 2009
Page: 1 of 2

SERVICE BULLETIN

Ride Manufacturer: CHANCE RIDES, INC.

Affected Production Dates: All

Ride Name: CENTURY WHEEL (Portable Model Only)

Affected Serial Nos.: All

Model No.: 406

Abstract of Issue:
Trailer Inspection

Reason For Release:

Chance Rides Manufacturing, Inc. has become aware that cracks can develop in the trailer frame on the above noted amusement rides. The area affected is located in the main beams behind the hitch.

Action to be Taken:

Chance Rides Manufacturing, Inc. requires all owner/operators of the above noted portable model CENTURY WHEEL amusement rides to inspect the trailer frame as described in this bulletin.

The inspection must be completed within 30 days of the receipt of this bulletin and annually thereafter.

Trailer Inspection Procedure

The area to be inspected is accessible from under the trailer. The use of an inspection mirror will help view all sides of the inspection area more clearly. Inspect the main trailer beams as shown in the illustration on the following page. Inspect the web around the cutout as shown, and in the flat areas of the beams above and below the cutout, on both sides of both beams. Look for indications in the welds and in the parent metal.

IF NO INDICATIONS ARE FOUND, operation of the ride can continue. The trailer must be inspected annually as described in this bulletin.

IF ANY INDICATIONS ARE FOUND, do not operate the ride. Contact the Customer Service Department at Chance Rides Manufacturing, Inc. immediately for instructions on the necessary repair procedure. **DO NOT ATTEMPT TO WELD OR OTHERWISE REPAIR THE TRAILER EXCEPT AS SPECIFICALLY INSTRUCTED BY CHANCE RIDES MANUFACTURING, INC.**

All work must be performed by qualified personnel, capable of understanding the function of the parts and their proper installation. Use only those components authorized, specified or provided by Chance Rides Manufacturing, Inc. All applicable OSHA safety standards and safe industry practices must be observed.

Observe all safety information contained in the manufacturer's manuals. Make available this bulletin and all related technical information to personnel using the equipment.



CHANCE RIDES MANUFACTURING, INC.
4200 Walker
Wichita, KS 67277-2328
U.S.A.
Phone: 1-316-942-7411 • FAX: 1-316-942-2012
Website: www.rides.com
E-mail: rides@rides.com

Bulletin No:	B406CRM163-0
Release Date:	May 15, 2009
Effective Date:	May 15, 2009
Supersedes:	N / A
Completion Date:	June 15, 2009
Page:	2 of 2

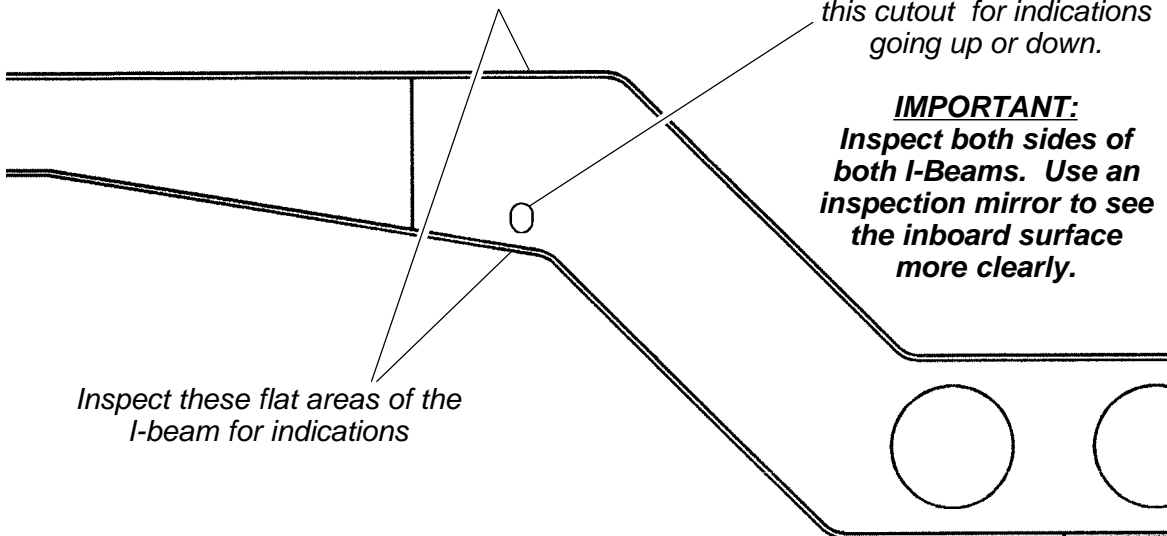
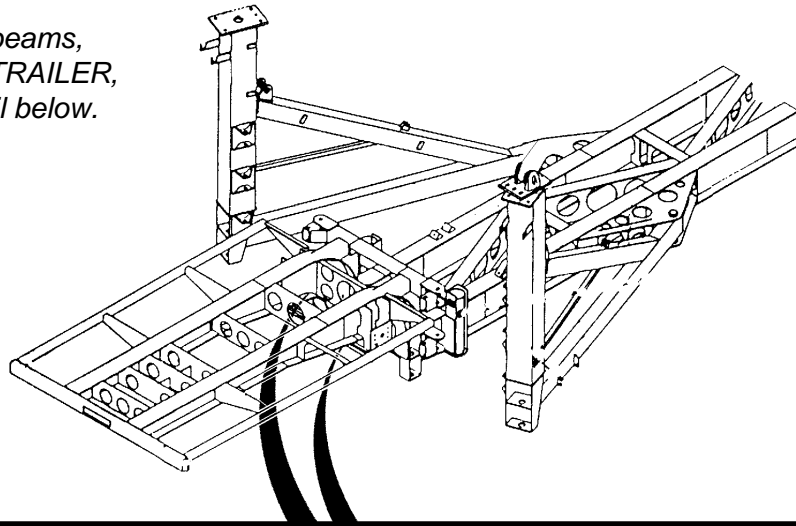
Ride Manufacturer: CHANCE RIDES, INC. Affected Production Dates: All

Ride Name: CENTURY WHEEL Affected Serial Nos.: All

Model No.: 406

Detail of Issue

*Inspect the both main trailer beams,
ONE ON EACH SIDE OF THE TRAILER,
in the areas shown in the detail below.*



DETAIL - Typical I-Beams on both sides of trailer