



CHANCE RIDES MANUFACTURING, INC.
4200 Walker
Wichita, KS 67277-2328
U.S.A.
Phone: 1-316-942-7411 • FAX: 1-316-942-2012
Website: www.rides.com
E-mail: rides@rides.com

Bulletin No:	B408CRM101-0
Release Date:	July 30, 2002
Effective Date:	July 30, 2002
Supersedes:	N/A
Completion Date:	August 30, 2002
Page:	1 of 2

SERVICE BULLETIN

Ride Manufacturer: CHANCE RIDES, INC.

Affected Production Dates: All

Ride Name: CHAOS

Affected Serial Nos.: All Units

Model No.: 408

Abstract of Issue:

Drive Pinion Bearing Housing Lubrication

Reason For Release:

Chance Rides Manufacturing, Inc. has become aware of failure of certain drive components on the CHAOS amusement ride due to two factors:

- Operation of the ride without adequate lubrication of the drive pinion bearing housing. Weekly lubrication with the correct lubricant is required, as specified in the *CHAOS Service Manual*.
- Operation of the ride with the drive pinion cover missing or improperly installed. This can allow water to enter the pinion bearing housing, main drive gearbox and motor.

If either of these conditions exist, failure of expensive drive components can result.

Action to be Taken:

To ensure satisfactory service life of the drive components, all owner/operators of CHAOS amusement rides are required to do the following (refer to the illustration on page 2 of this bulletin):

- Comply with the lubrication instructions in the *CHAOS Service Manual*, including the drive pinion bearing housing lubrication. Apply NLGI No. 2 lithium based grease weekly at the zerk shown.
- Check to make sure the pinion gear cover is installed and sealed with silicone sealant. If the cover is missing, order a new part and install it as shown.
- Make sure the drain holes in both sides of the mounting plate are not plugged.



CHANCE RIDES MANUFACTURING, INC.
4200 Walker
Wichita, KS 67277-2328
U.S.A.
Phone: 1-316-942-7411 • FAX: 1-316-942-2012
Website: www.rides.com
E-mail: rides@rides.com

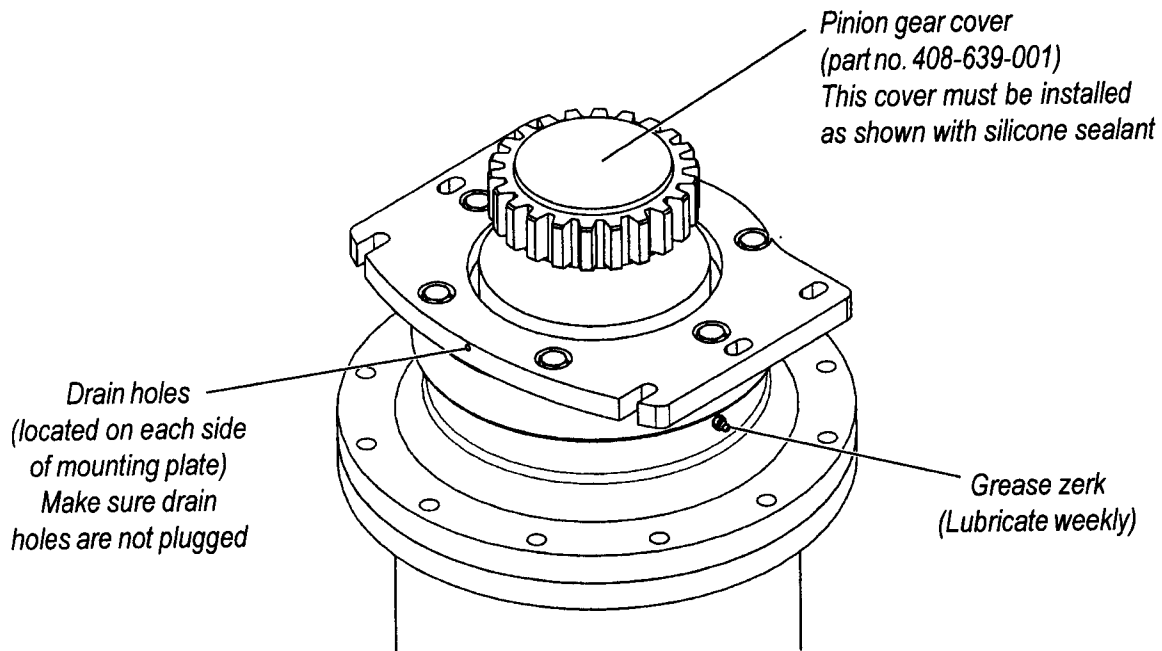
Bulletin No:	B408CRM101-0
Release Date:	July 30, 2002
Effective Date:	July 30, 2002
Supersedes:	N/A
Completion Date:	August 30, 2002
Page:	2 of 2

Ride Manufacturer: CHANCE RIDES, INC. Affected Production Dates: All

Ride Name: CHAOS Affected Serial Nos.: All Units

Model No.: 408

Detail of Issue (continued):



All work must be performed by qualified personnel, capable of understanding the function of the parts and their proper installation. Use only those components authorized, specified or provided by Chance Rides Manufacturing, Inc. All applicable OSHA safety standards and safe industry practices must be observed.

Observe all safety information contained in the manufacturer's manuals. Make available this bulletin and all related technical information to personnel using the equipment.

Chance Rides Manufacturing, Inc. issues notifications for the benefit of owners of amusement rides manufactured by Chance Rides Manufacturing, Inc. As a service to the industry, and in the interest of employee and public safety, Chance Rides Manufacturing, Inc. also issues notifications for the benefit of owners of amusement ride equipment for which the manufacturer no longer exists, such as the Allan Herschell Company, Chance Manufacturing Co., Inc., Chance Rides, Inc., etc. In doing so, Chance Rides Manufacturing, Inc. does not assume liability for losses associated with amusement ride equipment built by manufacturers other than Chance Rides Manufacturing, Inc.