

**CHANCE RIDES, INC.**

4219 Irving  
Wichita, KS 67277-2328  
U.S.A.

Phone: 1-800-242-6231 • FAX: 1-316-942-7416

Website: [www.rides.com](http://www.rides.com)

Bulletin No: B408R1204-0

Release Date: November 30, 1998

Effective Date: November 30, 1998

Supersedes: N/A

Completion Date: Immediate

Page: 1 of 2

# SERVICE BULLETIN

Ride Manufacturer: CHANCE RIDES, INC.

Affected Production Dates: All

Ride Name: CHAOS

Affected Serial Nos.: All Portable Units

Model No.: 408

**Abstract of Issue:**

Boom Lift Cylinder Blocking

**Reason For Release:**

Chance Rides, Inc. has become aware that the boom lift cylinder on the above noted CHAOS amusement rides needs to be supported with blocking while the ride is being operated. Failure to block under the ride's boom lift cylinder can cause undue stresses to the trailer frame in the cylinder pivot point area. These stresses can result in the cracking of structural members of the trailer frame in the area where the boom lift cylinder pins.

**Action to be Taken:**

All owner/operators of trailer-mounted CHAOS amusement rides must install blocking as described in this bulletin at each set-up in order to correctly support the boom lift cylinder.

**Detail of Issue:**

All work must be performed by qualified personnel, capable of understanding the function of the parts and their proper installation.

### NOTICE

Use only those components authorized, specified or provided by Chance Rides, Inc.

Chance Rides, Inc. SPECIFICALLY DISCLAIMS ANY LIABILITY for losses associated with any unauthorized alterations and/or modifications or additions and installations of unauthorized components.



**CHANCE RIDES, INC.**  
4219 Irving  
Wichita, KS 67277-2328  
U.S.A.  
Phone: 1-800-242-6231 • FAX: 1-316-942-7416  
Website: www.rides.com

Bulletin No: B408R1204-0

Release Date: November 30, 1998

Effective Date: November 30, 1998

Supersedes: N/A

Completion Date: Immediate

Page: 2 of 2

Ride Manufacturer: CHANCE RIDES, INC.

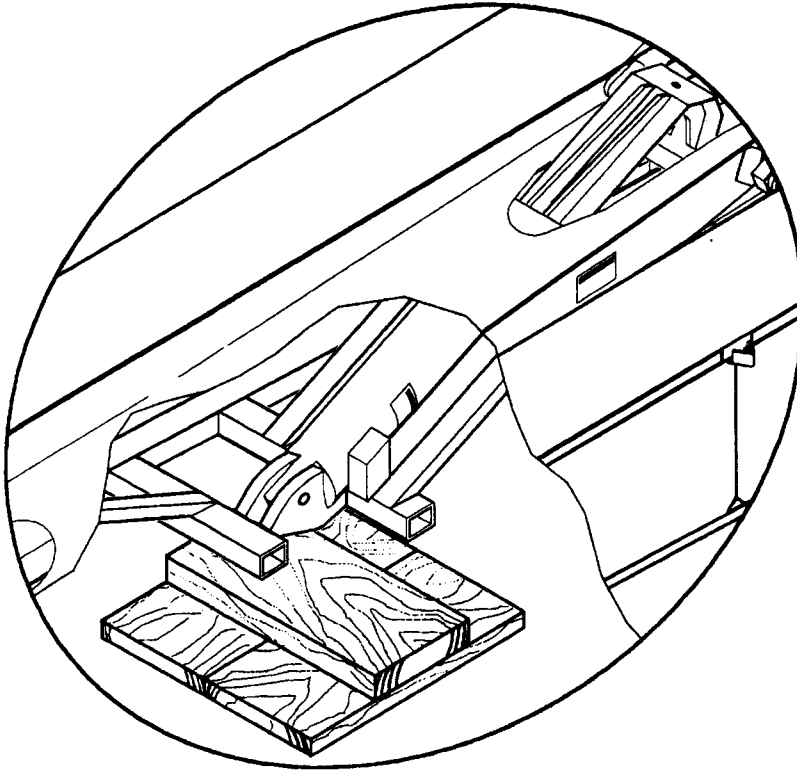
Affected Production Dates: All

Ride Name: CHAOS

Affected Serial Nos.: All Portable Units

Model No.: 408

Detail of Issue (continued):



1. Recommended use is a minimum of two blocks stacked on top of each other in a cross block style.
2. Recommended blocking size is 3" x 12" x 48" blocks on the bottom and 3" x 12" x 24" blocks on top.
3. Install blocks centered under lowest point of boom lift cylinder mounting ears.
4. Shim blocks as required to bring blocking within 1/8 to 1/4 inch of the boom lift cylinder mounting ears.