



CHANCE RIDES, INC.
4219 Irving
Wichita, KS 67277-2328
U.S.A.
Phone: 1-800-242-6231 • FAX: 1-316-942-7416
Website: www.rides.com

Bulletin No:	B408R1209-0
Release Date:	March 18, 1999
Effective Date:	March 18, 1999
Supersedes:	N/A
Completion Date:	April 18, 1999
Page:	1 of 2

SERVICE BULLETIN

Ride Manufacturer: CHANCE RIDES, INC. Affected Production Dates: 1/31/96 through 8/1/98

Ride Name: CHAOS Affected Serial Nos.: 408-00196 and
408-02297 through 408-03998

Model No.: 408

Abstract of Issue:
Arm Guard Kit

Reason For Release:

Chance Rides, Inc. specifies in the CHAOS Operation Manual the correct way in which passengers are to be secured before the ride is started. The manual states that to avoid serious personal injury, passengers must keep their hands and feet inside the vehicle. It is the operator's responsibility to give safety instructions to the passengers and to make sure that they have their hands, arms, and feet inside the vehicle while the lap bar is being closed and locked. To further ensure that passengers' arms remain in the correct position, a caution decal* and an arm guard kit have been developed.

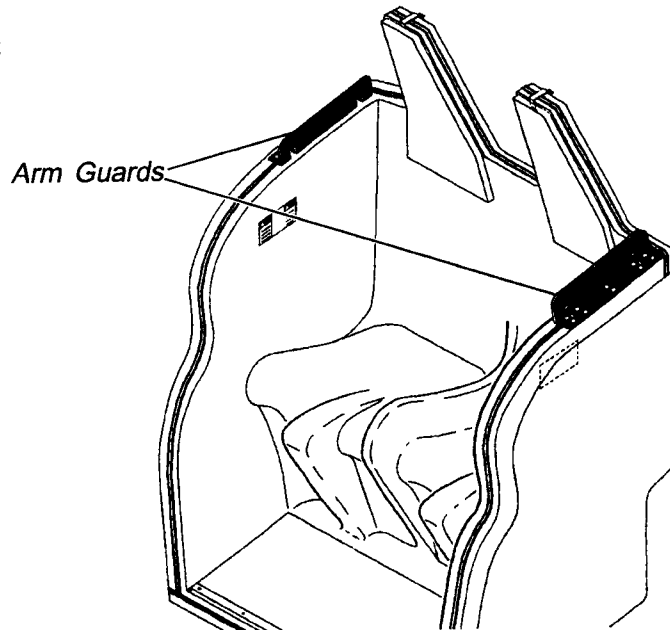
Action to be Taken:

All owners of the above noted amusement rides are required to order and install the Arm Guard Kit, number K408R1209-0.

This kit will be provided at no cost if ordered within 30 days of the release date of this bulletin.

The installation of this kit is in addition to following the recommendations in the CHAOS Operation Manual.

* Refer to Chance Rides, Inc. service bulletin B408R1202-0





CHANCE RIDES, INC.
4219 Irving
Wichita, KS 67277-2328
U.S.A.
Phone: 1-800-242-6231 • FAX: 1-316-942-7416
Website: www.rides.com

Bulletin No: B408R1209-0

Release Date: March 18, 1999

Effective Date: March 18, 1999

Supersedes: N/A

Completion Date: April 18, 1999

Page: 2 of 2

Ride Manufacturer: CHANCE RIDES, INC.

Affected Production Dates: 1/31/96 through 8/1/98

Ride Name: CHAOS

Affected Serial Nos.: 408-00196 and
408-02297 through 408-03998

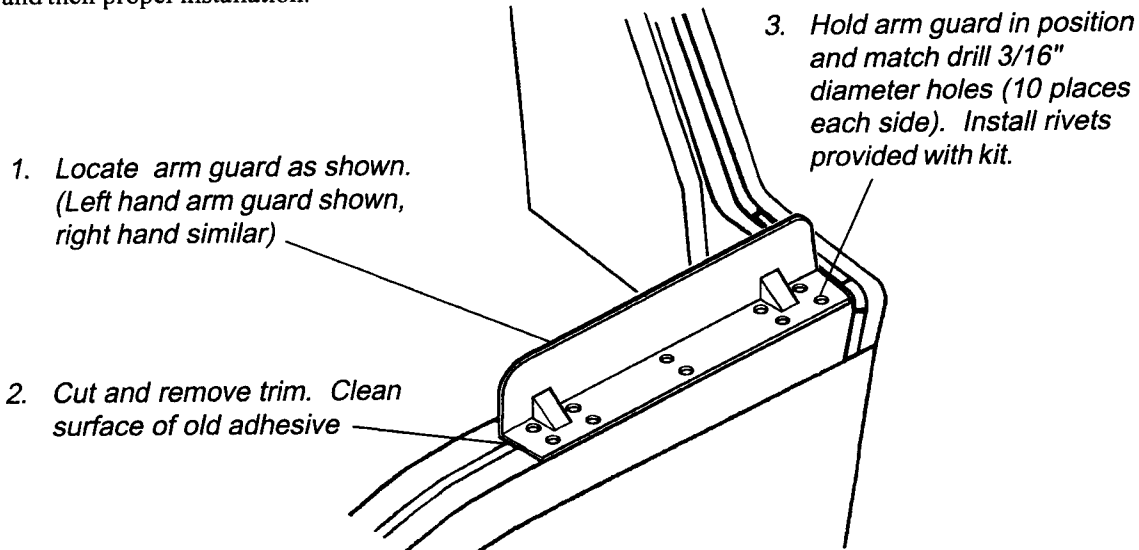
Model No.: 408

Detail of Issue (continued):

Install kit number K408R1209-0 using the instructions provided in this bulletin. Kit number K408R1209-0 contains the following:

<u>Part Number</u>	<u>Component</u>	<u>Quantity</u>
408-178-001	ARM GUARD - Left Hand	18
408-178-002	ARM GUARD - Right Hand	18
66149000	RIVET - AD66BS (3/16")	360

All work must be performed by qualified personnel, capable of understanding the function of the parts and their proper installation.



NOTICE

Use only those components authorized, specified or provided by Chance Rides, Inc.

Chance Rides, Inc. SPECIFICALLY DISCLAIMS ANY LIABILITY for losses associated with any unauthorized alterations and/or modifications or additions and installations of unauthorized components.