



**CHANCE RIDES, INC.**  
 4219 Irving  
 Wichita, KS 67277-2328  
 U.S.A.  
 Phone: 1-800-242-6231 • FAX: 1-316-942-7416  
 Website: [www.rides.com](http://www.rides.com)  
 E-mail: [rides@rides.com](mailto:rides@rides.com)

Bulletin No:	P408R1219-0
Release Date:	August 1, 2000
Effective Date:	August 1, 2000
Supersedes:	N/A
Completion Date:	N/A
Page:	1 of 3

# NOTIFICATION

Ride Manufacturer: CHANCE RIDES, INC.      Affected Production Dates: All

Ride Name: CHAOS (Portable models only)      Affected Serial Nos.: All units

Model No.: 408

Abstract of Issue:  
 Ramp Support Brace Kit

**Reason For Release:**

The normal flexing of the entrance/exit ramps on the CHAOS amusement ride can, after an extended time, result in weakening of the ramp. To extend the service life of the ramps, CHANCE RIDES, Inc. has developed a kit which, when properly installed, provides additional support to the ramps.

**Action to be Taken:**

All owner/operators of the above noted portable model CHAOS amusement rides can, at their option, order and install the ramp support kit as described in this bulletin at each set-up in order to support the entrance and exit ramps.

Order the Ramp Support Kit, part number K408R1219-0, which provides all parts necessary for one complete ride. The kit will be provided at a reduced price if ordered within 30 days of the release date of this bulletin.

Kit number K408R1219-0 contains the following:

<u>Part Number</u>	<u>Component</u>	<u>Quantity</u>
408-865-001	RAMP BRACE ASSEMBLY - Short	2
408-865-002	RAMP BRACE ASSEMBLY - Long	2

Installation instructions are provided on the following pages of this bulletin, as well as replacement parts ordering information.

All work must be performed by qualified personnel, capable of understanding the function of the parts and their proper installation.



**CHANCE RIDES, INC.**  
4219 Irving  
Wichita, KS 67277-2328  
U.S.A.  
Phone: 1-800-242-6231 • FAX: 1-316-942-7416  
Website: [www.rides.com](http://www.rides.com)  
E-mail: [rides@rides.com](mailto:rides@rides.com)

Bulletin No:	P408R1219-0
Release Date:	August 1, 2000
Effective Date:	August 1, 2000
Supersedes:	N/A
Completion Date:	N/A
Page:	2 of 3

Ride Manufacturer: CHANCE RIDES, INC.      Affected Production Dates: All

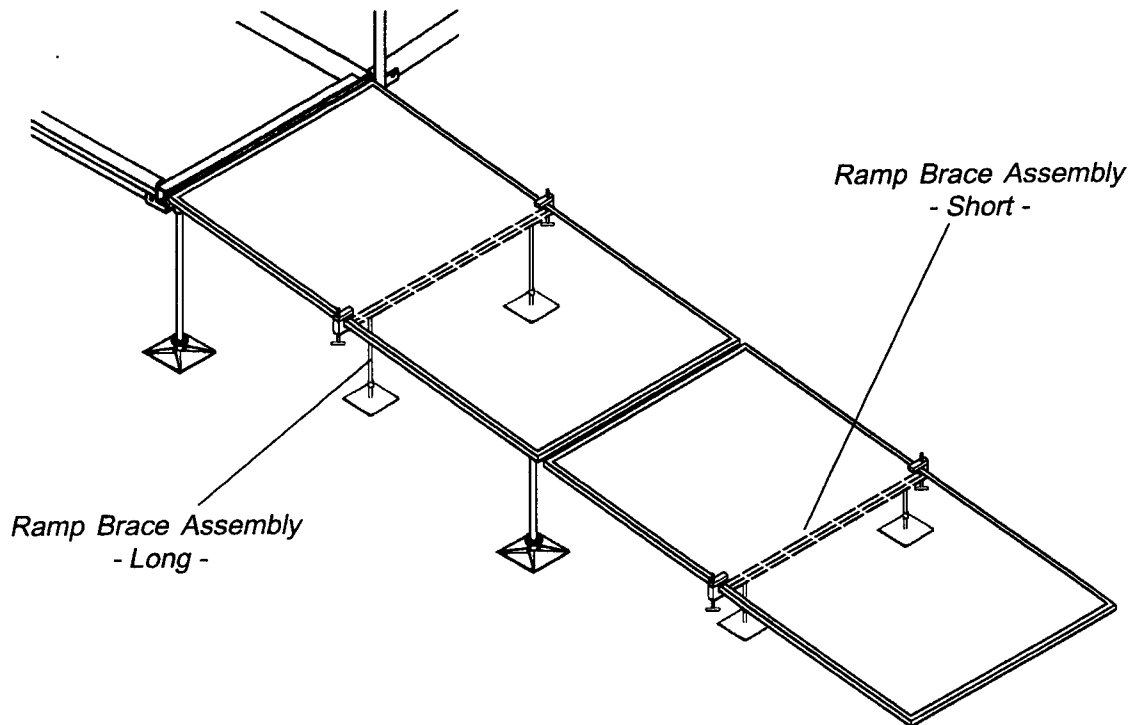
Ride Name: CHAOS (Portable models only)      Affected Serial Nos.: All units

Model No.: 408

Detail of Issue (continued):

**Installation Instructions - Ramp Brace Kit K408R1219-0**

Install the ramp braces at every set-up using the following procedure.



1. Install the ramp braces under the entrance and exit ramps as shown. Locate the ramp braces in the center of each ramp section.
2. Extend or retract the screw jacks as required to support the ramps.
3. Tighten the clamps to secure the braces to the ramps.



**CHANCE RIDES, INC.**  
4219 Irving  
Wichita, KS 67277-2328  
U.S.A.  
Phone: 1-800-242-6231 • FAX: 1-316-942-7416  
Website: [www.rides.com](http://www.rides.com)  
E-mail: [rides@rides.com](mailto:rides@rides.com)

Bulletin No:	P408R1219-0
Release Date:	August 1, 2000
Effective Date:	August 1, 2000
Supersedes:	N/A
Completion Date:	N/A
Page:	3 of 3

Ride Manufacturer: CHANCE RIDES, INC.      Affected Production Dates: All

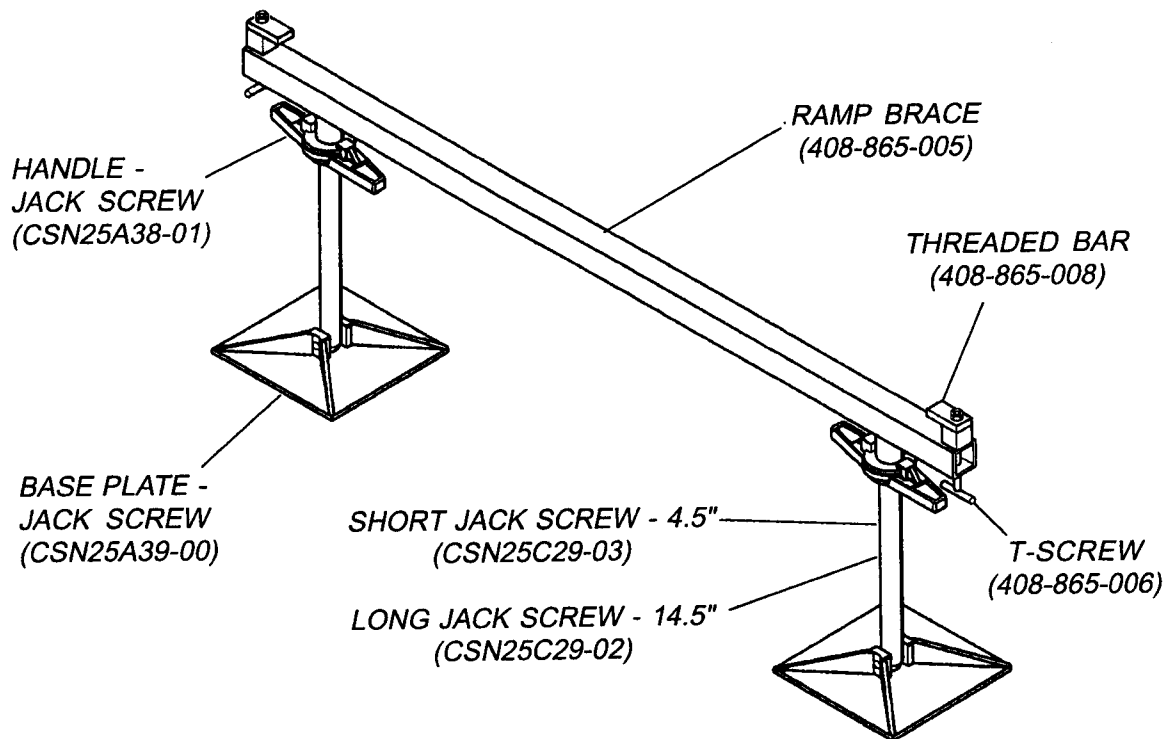
Ride Name: CHAOS (Portable models only)      Affected Serial Nos.: All units

Model No.: 408

Detail of Issue (continued):

**Parts List - Ramp Brace Kit**

Use the following information if replacement of individual parts is required.



**NOTICE**

Use only those components authorized, specified or provided by Chance Rides, Inc.

Chance Rides, Inc. **SPECIFICALLY DISCLAIMS ANY LIABILITY** for losses associated with any unauthorized alterations and/or modifications or additions and installations of unauthorized components.