



NUMBER: B400R1045-0

DATE: June 22, 1989

SUPERSEDES:

---

---

## SERVICE BULLETIN

---

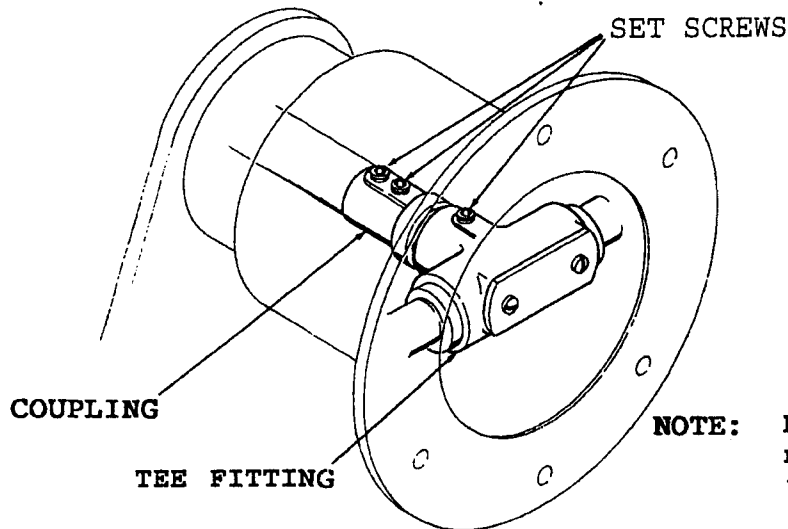
---

Effective Serial Number: 400-001-88 through 400-005-88

Ride: GIANT GONDOLA WHEEL

Subject: Axle Conduit Coupling Check

The axle hubs on the GIANT GONDOLA WHEEL are fitted with conduit to route electrical wiring to the collector rings. A metal coupling connects the collector ring axle to a tee fitting on each axle hub as shown below.



**NOTE:** Remove plexiglass covers as necessary to gain access to the coupling and tee.

The set screws which secure the coupling and/or tee can become loose after extended operation, causing damage to the wiring. To prevent this, check the set screws at each set up to be sure they are tight. DO NOT OVER-TIGHTEN.

If a loose set screw is found, inspect the wiring for indications of twisting or damage. Make sure the set screws in the coupling are fully engaged in the keyway in the collector ring axle.

All work must be performed by qualified personnel, capable of understanding the function of the parts and their proper installation. If there are any questions regarding the instructions or this inspection, contact the CHANCE CUSTOMER SERVICE DEPARTMENT.