



CHANCE RIDES, INC.
4219 Irving
Wichita, KS 67277-2328
U.S.A.
Phone: 1-800-242-6231 • FAX: 1-316-942-7416
Website: www.rides.com
E-mail: rides@rides.com

Bulletin No:	P414R1248-0
Release Date:	June 15, 2001
Effective Date:	June 15, 2001
Supersedes:	N/A
Completion Date:	N/A
Page:	1 of 3

NOTIFICATION

Ride Manufacturer: CHANCE RIDES, INC. Affected Production Dates: Prior to May, 2001

Ride Name: INVERTER (Portable Model) Affected Serial Nos.: Prior to Ride Serial No. 414-03201

Model No.: 414

Abstract of Issue:
Main Drive Gearbox Kit

Reason For Release:

Frequent inspection is necessary to minimize problems with the main drive gearboxes and main drive gears on the above noted INVERTER amusement rides. The inspections required are outlined in detail in the *INVERTER Service Manual* and Chance Rides Service Bulletin B414R1245-A (Main Drive Inspection - Daily and Weekly Inspection Points, August 31, 2000).

This notification describes an improved main drive gearbox kit which provides longer service life for the main drive components. This kit can be ordered and installed at the owner/operator's option.

Chance Rides, Inc. strongly recommends that this improvement be made to all of the above noted INVERTER amusement rides.

Detail of Issue:

A kit has been developed to replace both main drive gearboxes and related mounting components. The new gearboxes features larger output shaft bearings, and the mounting configuration eliminates pinion gear misalignment which can cause ring gear failure on the main bearing.

Order and install the Main Drive Gearbox Kit, number K414R1248-0. This kit includes all necessary parts to rework one complete ride, with complete instructions for installation. The kit will be offered at a reduced price if ordered within 90 days of the issue date of this notification.

All work must be performed by qualified personnel, capable of understanding the function of the parts and their proper installation. All welding must be performed by a certified welder.



CHANCE RIDES, INC.
4219 Irving
Wichita, KS 67277-2328
U.S.A.
Phone: 1-800-242-6231 • FAX: 1-316-942-7416
Website: www.rides.com
E-mail: rides@rides.com

Bulletin No:	P414R1248-0
Release Date:	June 15, 2001
Effective Date:	June 15, 2001
Supersedes:	N/A
Completion Date:	N/A
Page:	2 of 3

Ride Manufacturer: CHANCE RIDES, INC.

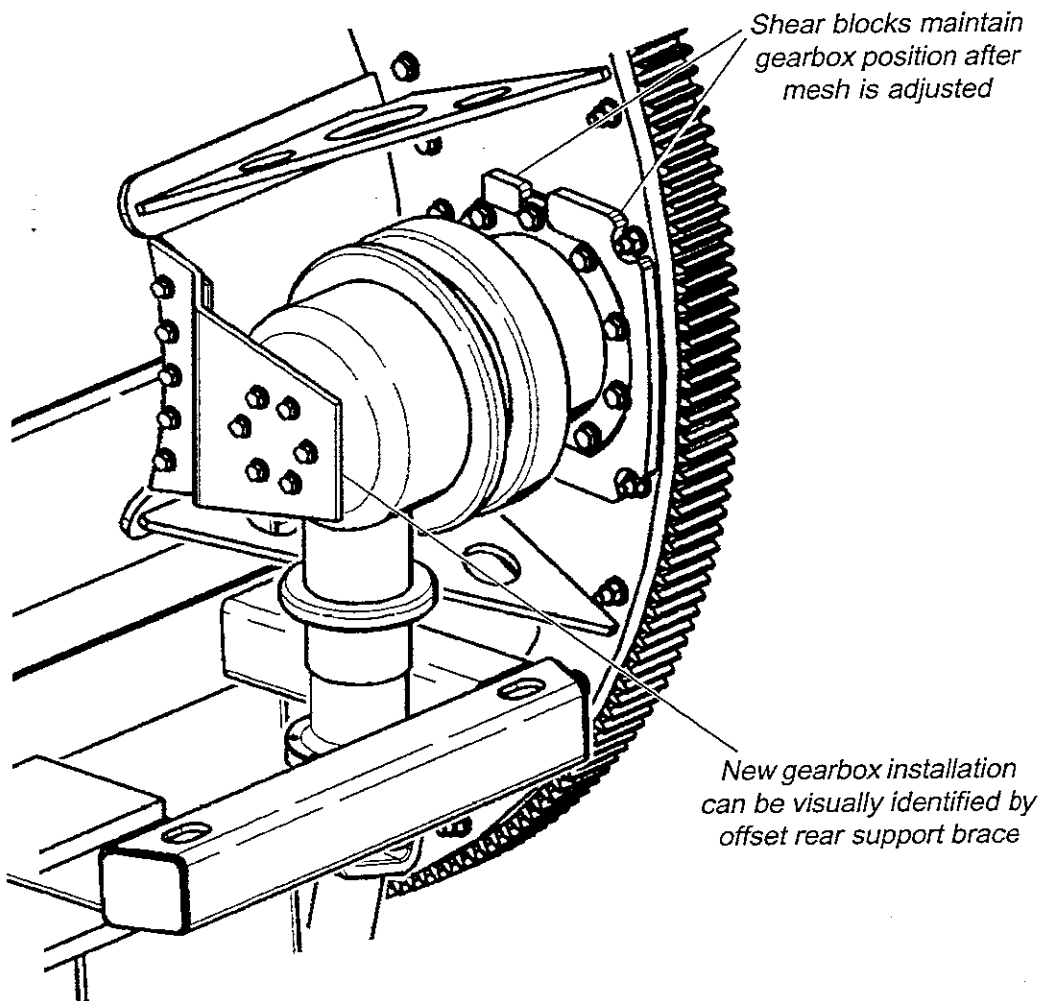
Affected Production Dates: Prior to May, 2001

Ride Name: INVERTER (Portable Model)

Affected Serial Nos.: Prior to Ride Serial No. 414-03201

Model No.: 414

Action to be taken





CHANCE RIDES, INC.
4219 Irving
Wichita, KS 67277-2328
U.S.A.
Phone: 1-800-242-6231 • FAX: 1-316-942-7416
Website: www.rides.com
E-mail: rides@rides.com

Bulletin No:	P414R1248-0
Release Date:	June 15, 2001
Effective Date:	June 15, 2001
Supersedes:	N/A
Completion Date:	N/A
Page:	3 of 3

Ride Manufacturer: CHANCE RIDES, INC. Affected Production Dates: Prior to May, 2001

Ride Name: INVERTER (Portable Model) Affected Serial Nos.: Prior to Ride Serial No. 414-03201

Model No.: 414

Action to be taken (continued):

The Main Drive Gearbox Kit, part number K414R1248-0, contains the following:

<u>Part Number</u>	<u>Component</u>	<u>Quantity</u>
K414R1248-0	Drawing - Installation Instructions	1
414-0730-060	Gearbox	2
414-0730-059	Shear block	2
414-0730-061	Shear block	4
414-0730-062	Brace - Rear Support	2
414-00361-002	Cap - Pinion	2
61075801	Socket Head Capscrew (M10-1.5 x 25 mm)	6
60687100	Hex Head Capscrew (M16-2 x 55 mm 10.9)	20
68552900	Flat Washer - Hardened (5/8)	20
61075700	Socket Head Capscrew (M8-1.25 x 35mm)	12

NOTICE

Use only those components authorized, specified or provided by Chance Rides, Inc.

Chance Rides, Inc. SPECIFICALLY DISCLAIMS ANY LIABILITY for losses associated with any unauthorized alterations and/or modifications or additions and installations of unauthorized components.