



**CHANCE**  
MANUFACTURING CO., INC.

Number: 129

Date: 8-5-76

Supersedes:

America's Largest Manufacturer of Amusement Rides

# Service Bulletin

**Effective Serial Numbers:**

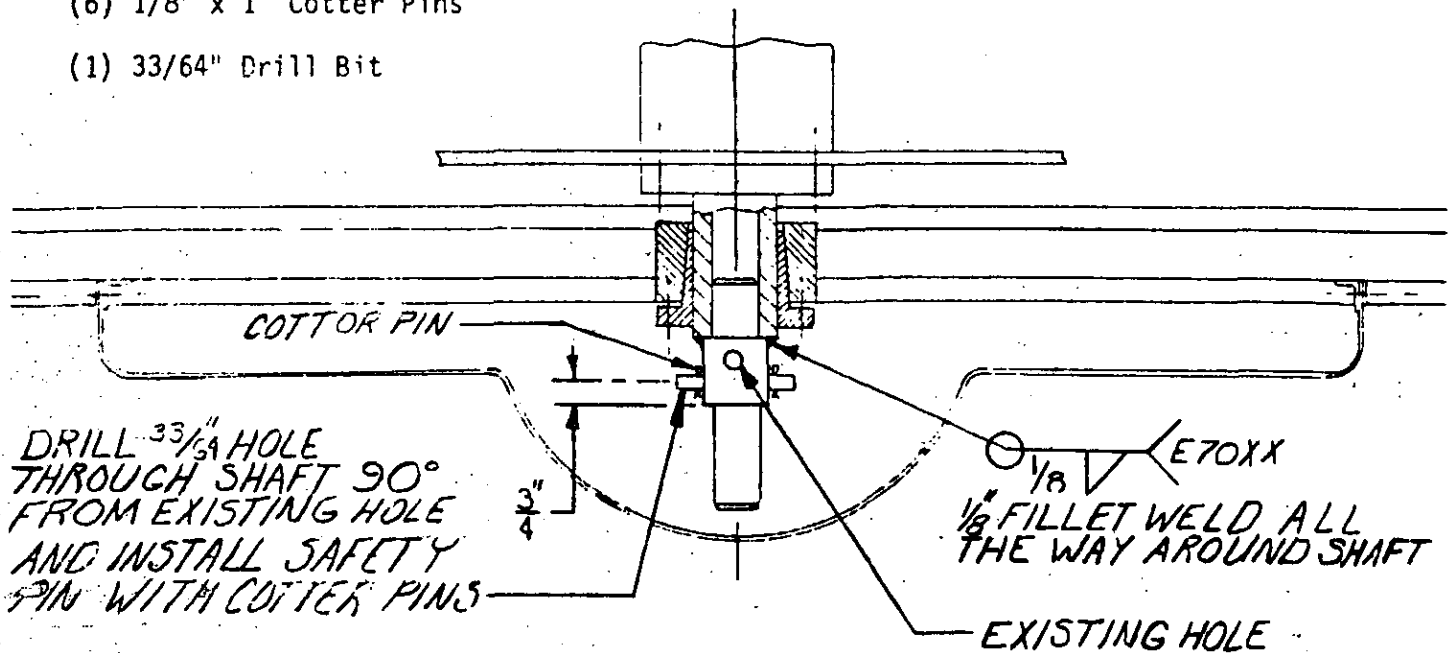
PIXIE PLAZA  
**Ride:** SERIAL NUMBERS: 76-3500,  
76-3501, 76-3502, 76-3503

**Subject:** OVERHEAD SHAFT SAFETY PIN

This kit is designed to eliminate a hazardous condition which exists on the PIXIE PLAZA. Should the taperlock give way on any of the overhead shafts, it would allow the attached parts to drop. By installing the safety pins per instructions, the loose parts will be held to the overhead shafts.

Parts included in kit:

- (3) #129-1 Safety Pins
- (6) 1/8" x 1" Cotter Pins
- (1) 33/64" Drill Bit



PIX-E-MIX

(OVER)

Factory and General Office, 4219 Irving, P.O. Box 12328 Wichita, Kansas 67277

Area Code (316) 942-7411

Sales Office:

1103 Ross Ave., Dallas, Texas 75202

Area Code (214) 742-3802

