



CHANCE RIDES MANUFACTURING, INC.
4200 Walker
Wichita, KS 67277-2328
U.S.A.
Phone: 1-316-942-7411 • FAX: 1-316-942-2012
Website: www.chancerides.com
E-mail: rides@chancerides.com

Bulletin No:	B418CRM169-0
Release Date:	June 30, 2011
Effective Date:	June 30, 2011
Supersedes:	N / A
Completion Date:	September 30, 2011
Page:	1 of 2

SERVICE BULLETIN

Ride Manufacturer: CHANCERIDES, INC., CHANCERIDES MANUFACTURING, INC. Affected Production Dates: All

Ride Name: REVOLUTION 32, REVOLUTION 24 and REVOLUTION 20 Affected Serial Nos.: All

Model No.: 418, 421 and 422

Abstract of Issue:
Vehicle Drainage Holes

Reason For Release:

Chance Rides Manufacturing, Inc. has become aware that the vehicles on the above noted amusement rides can hold water from rain and/or washing the ride. The area where water can accumulate is under the fiberglass seats. This condition can result in corrosion of the vehicle frame.

Action to be Taken:

All owners of the above noted REVOLUTION amusement rides are required to add drainage holes as described on the following pages of this service bulletin. This must be completed within 90 days of receipt of the bulletin. The seats should be visually inspected regularly to make sure the drainage holes are not clogged.

All work must be performed by qualified personnel, capable of understanding the function of the parts and their proper installation. Use only those components authorized, specified or provided by Chance Rides Manufacturing, Inc. All applicable OSHA safety standards and safe industry practices must be observed.

Observe all safety information contained in the manufacturer's manuals. Make available this bulletin and all related technical information to personnel using the equipment.

Chance Rides Manufacturing, Inc. issues notifications for the benefit of owners of amusement rides manufactured by Chance Rides Manufacturing, Inc. As a service to the industry, and in the interest of employee and public safety, Chance Rides Manufacturing, Inc. also issues notifications for the benefit of owners of amusement ride equipment for which the manufacturer no longer exists, such as the Allan Herschell Company, Chance Manufacturing Co., Inc., Chance Rides, Inc., etc. In doing so, Chance Rides Manufacturing, Inc. does not assume liability for losses associated with amusement ride equipment built by manufacturers other than Chance Rides Manufacturing, Inc.



CHANCE RIDES MANUFACTURING, INC.

**4200 Walker
Wichita, KS 67277-2328
U.S.A.**

Phone: 1-316-942-7411 • FAX: 1-316-942-2012

Website: www.chancerides.com

E-mail: rides@chancerides.com

Bulletin No: B418CRM169-0

Release Date: June 30, 2011

Effective Date: June 30, 2011

Supersedes: N / A

Completion Date: September 30, 2011

Page: 2 of 2

Ride Manufacturer: CHANCERIDES, INC., CHANCERIDES MANUFACTURING, INC. Affected Production Dates: All

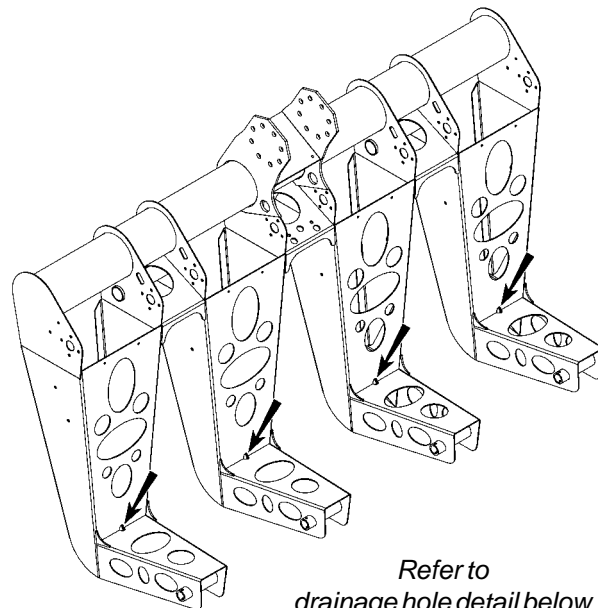
Ride Name: REVOLUTION 32, REVOLUTION 24 and REVOLUTION 20 Affected Serial Nos.: All

Model No.: 418, 421 and 422

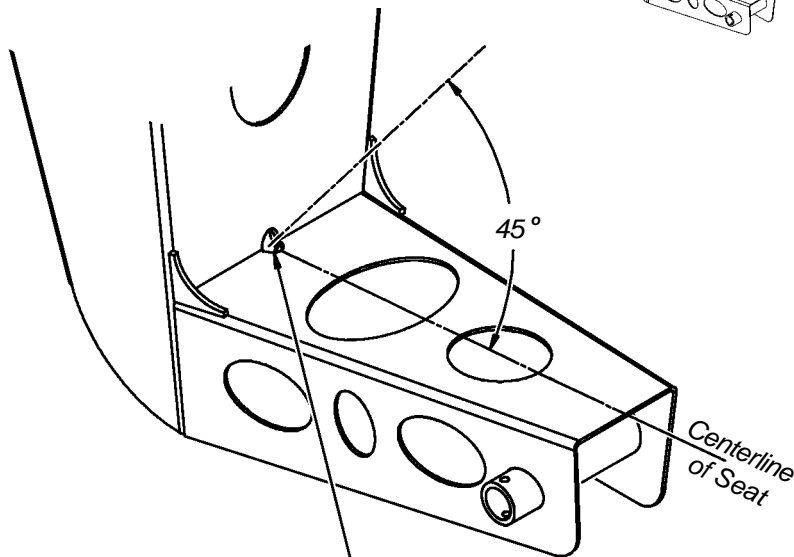
Detail of Issue

NOTE: Remove fiberglass components as required to gain access to the steel frame under each seat.

Apply paint to the edges of the hole to prevent corrosion.



Refer to
drainage hole detail below
(4 places on each vehicle)



Use a 3/4" diameter hole saw to cut drainage hole under each seat