



CHANCE RIDES MANUFACTURING, INC.
4200 Walker
Wichita, KS 67277-2328
U.S.A.
Phone: 1-316-942-7411 • FAX: 1-316-942-2012
Website: www.rides.com
E-mail: rides@rides.com

Bulletin No:	B402CRM152-0
Release Date:	May 12, 2007
Effective Date:	May 12, 2007
Supersedes:	B402R1109-0 (Chance Rides, Inc., 1/17/92)
Completion Date:	See Text
Page:	1 of 4

SERVICE BULLETIN

Ride Manufacturer: CHANCE RIDES, INC.

Affected Production Dates: All

Ride Name: WIPEOUT

Affected Serial Nos.: All Units

Model No.: 402

Abstract of Issue:

Hub Capscrew Torque Check

Reason For Release:

This bulletin supersedes Chance Rides, Inc. Service Bulletin B408R1109-0. This bulletin updates and supplements the information contained in B408R1109-0.

The center hub section on the WIPEOUT amusement ride is secured to the bearing with 28 Grade 8 hex head capscrews. It is essential for the care of the equipment and safety of the passengers that the correct length capscrews are installed and that the correct torque is maintained on these capscrews.

This bulletin is being released due to changes in the bearing by its manufacturer. As a result, the correct length of the capscrews varies depending upon the bearing which is installed in that specific ride.

Action to be Taken:

Chance Rides, Inc. requires all owner/operators of the above noted amusement rides to immediately perform the inspection described in the bulletin to verify the proper torque of the capscrews. Thereafter, the capscrews must be checked for correct torque at least once per month during the operating season.

As with any ride, perform a daily visual check for signs of loose, broken or missing parts.

All work must be performed by qualified personnel, capable of understanding the function of the parts and their proper installation. Use only those components authorized, specified or provided by Chance Rides Manufacturing, Inc. All applicable OSHA safety standards and safe industry practices must be observed.

Observe all safety information contained in the manufacturer's manuals. Make available this bulletin and all related technical information to personnel using the equipment.

Chance Rides Manufacturing, Inc. issues notifications for the benefit of owners of amusement rides manufactured by Chance Rides Manufacturing, Inc. As a service to the industry, and in the interest of employee and public safety, Chance Rides Manufacturing, Inc. also issues notifications for the benefit of owners of amusement ride equipment for which the manufacturer no longer exists, such as the Allan Herschell Company, Chance Manufacturing Co., Inc., Chance Rides, Inc., etc. In doing so, Chance Rides Manufacturing, Inc. does not assume liability for losses associated with amusement ride equipment built by manufacturers other than Chance Rides Manufacturing, Inc.



CHANCE RIDES MANUFACTURING, INC.
4200 Walker
Wichita, KS 67277-2328
U.S.A.
Phone: 1-316-942-7411 • FAX: 1-316-942-2012
Website: www.rides.com
E-mail: rides@rides.com

Bulletin No: B402CRM152-0
Release Date: May 12, 2007
Effective Date: May 12, 2007
Supersedes: B402R1109-0
(Chance Rides, Inc., 1/17/92)
Completion Date: See Text
Page: 2 of 4

Ride Manufacturer: CHANCE RIDES, INC. Affected Production Dates: All

Ride Name: WIPEOUT Affected Serial Nos.: All Units

Model No.: 402

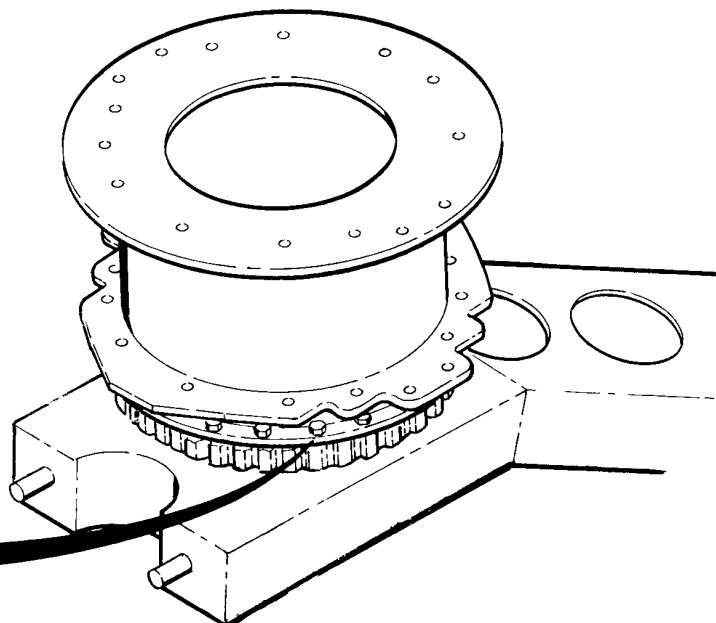
Detail of Issue

Monthly Check of Capscrew Torque

Using a torque wrench, check for proper torque of all 28 capscrews. The torque value for checking these capscrews must be 80 ft-lbs.

IMPORTANT: ALL 28 CAPSCREWS MUST BE TIGHTENED AND MAINTAINED AS DESCRIBED TO OPERATE THE RIDE. If damage in the tapped holes prevents one or more capscrews from meeting these specifications, the bearing must be replaced. Contact the Chance Customer Service Department for all necessary parts and instructions on this procedure.

If any capscrew is found to be loose, remove it and replace it with a new capscrew using the procedure described on page 4 of this bulletin. If a broken capscrew is found, contact Chance Rides, Inc. immediately for further instructions.



See details of this area on the following page



CHANCE RIDES MANUFACTURING, INC.
4200 Walker
Wichita, KS 67277-2328
U.S.A.
Phone: 1-316-942-7411 • FAX: 1-316-942-2012
Website: www.rides.com
E-mail: rides@rides.com

Bulletin No: B402CRM152-0
Release Date: May 12, 2007
Effective Date: May 12, 2007
Supersedes: B402R1109-0
(Chance Rides, Inc., 1/17/92)
Completion Date: See Text
Page: 3 of 4

Ride Manufacturer: CHANCE RIDES, INC. Affected Production Dates: All

Ride Name: WIPEOUT Affected Serial Nos.: All Units

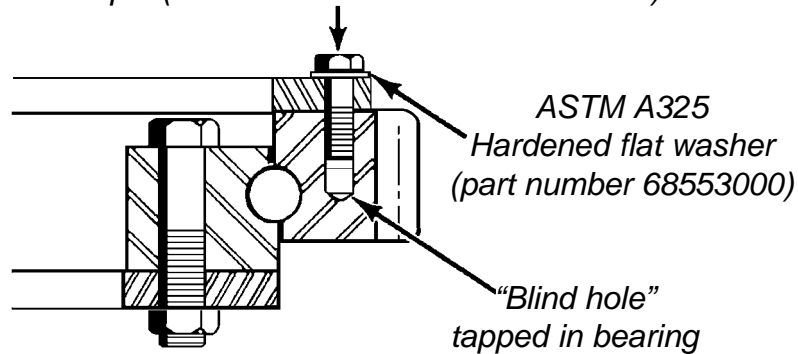
Model No.: 402

Detail of Issue (continued):

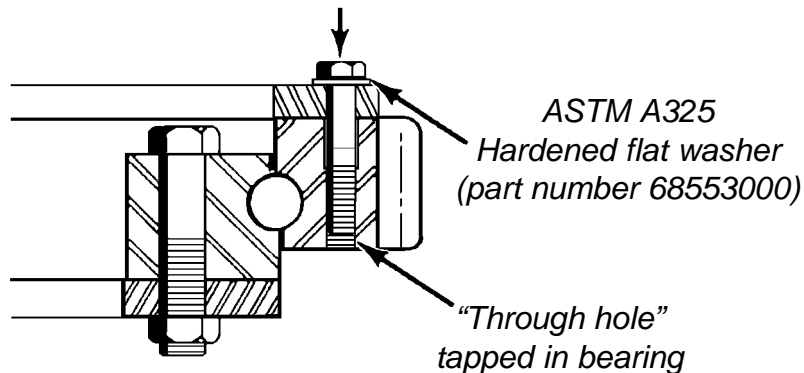
Determining the Correct Capscrew Length

The correct capscrew length is determined by the tapped holes in the bearing. If any of the capscrews are replaced, use the following illustrations to inspect the tapped holes in the bearing to determine the correct length of capscrew for that specific ride.

1/2-13 x 1-1/2" long Grade 8 Hex Head Capscrew (part number 60849200)
80 ft-lbs torque (monthly check).
90 ft-lbs torque (initial installation with Loctite® 271)



1/2-13 x 2-1/2" long Grade 8 Hex Head Capscrew (part number 60850100)
80 ft-lbs torque (monthly check).
90 ft-lbs torque (initial installation with Loctite® 271)





CHANCE RIDES MANUFACTURING, INC.
4200 Walker
Wichita, KS 67277-2328
U.S.A.
Phone: 1-316-942-7411 • FAX: 1-316-942-2012
Website: www.rides.com
E-mail: rides@rides.com

Bulletin No:	B402CRM152-0
Release Date:	May 12, 2007
Effective Date:	May 12, 2007
Supersedes:	B402R1109-0 (Chance Rides, Inc., 1/17/92)
Completion Date:	See Text
Page:	4 of 4

Ride Manufacturer: CHANCE RIDES, INC. Affected Production Dates: All

Ride Name: WIPEOUT Affected Serial Nos.: All Units

Model No.: 402

Detail of Issue (continued):

Capscrew Replacement Procedure

If any capscrew requires replacement, clean and prepare the tapped hole in the bearing using the following procedure.

IMPORTANT: *If more than one capscrew is being replaced, remove and replace them one at a time. The existing capscrew and hardened flat washer must be discarded and replaced with new parts of the correct size.*

1. Remove the existing capscrew and hardened flat washer and discard.
2. Using a 1/2-13 UNC bottoming tap, chase the entire length of the threads in the bearing to restore and clean the threads.
3. Using appropriate eye protection, clear chips and other debris from the tapped hole with compressed air.
4. Install the new capscrew with new hardened flat washer under the head, using Loctite® 271 (red).
5. Tighten the capscrew to 90 ft-lbs.