



Number: B106R1048-0

Date: August 1, 1989

SERVICE BULLETIN

Effective Serial Number: All Units

Ride: ZIPPER

Subject: Lap Bar Inspection

Lap bars on the ZIPPER are essential to passenger safety, and must be maintained properly. Operating the ride with worn or damaged lap bars, incorrect lap bars, wooden lap bars, or incorrectly mounted lap bars can result in injury to passengers.

CHANCE RIDES, INC. therefore requires the inspection of lap bars on all ZIPPER amusement rides, to ensure that all rides are equipped with the specified lap bars, and that the lap bars are properly installed.

Perform the inspection, using the instructions on the following pages of this bulletin. Return the attached Certification Of Compliance for the inspection within fifteen (15) days from receipt of this bulletin.

All work must be performed by competent, qualified mechanics, capable of understanding the function of the parts and their proper installation. If there are any questions regarding the instructions or this inspection, contact the CHANCE CUSTOMER SERVICE DEPARTMENT.

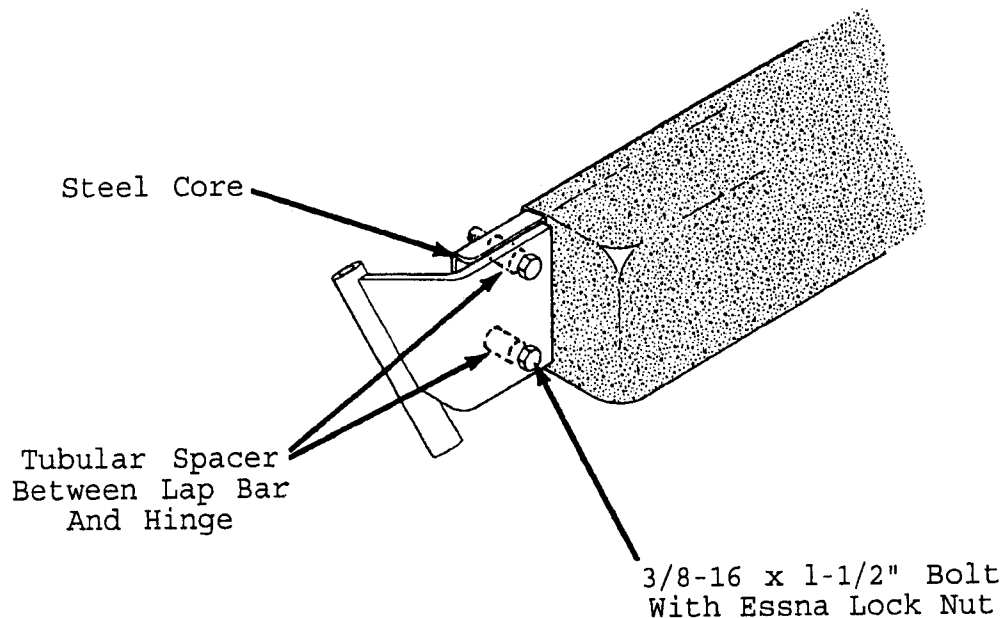
NOTE: Insert this bulletin into your Operation & Maintenance Manual for future reference.

INSPECTION INSTRUCTIONS

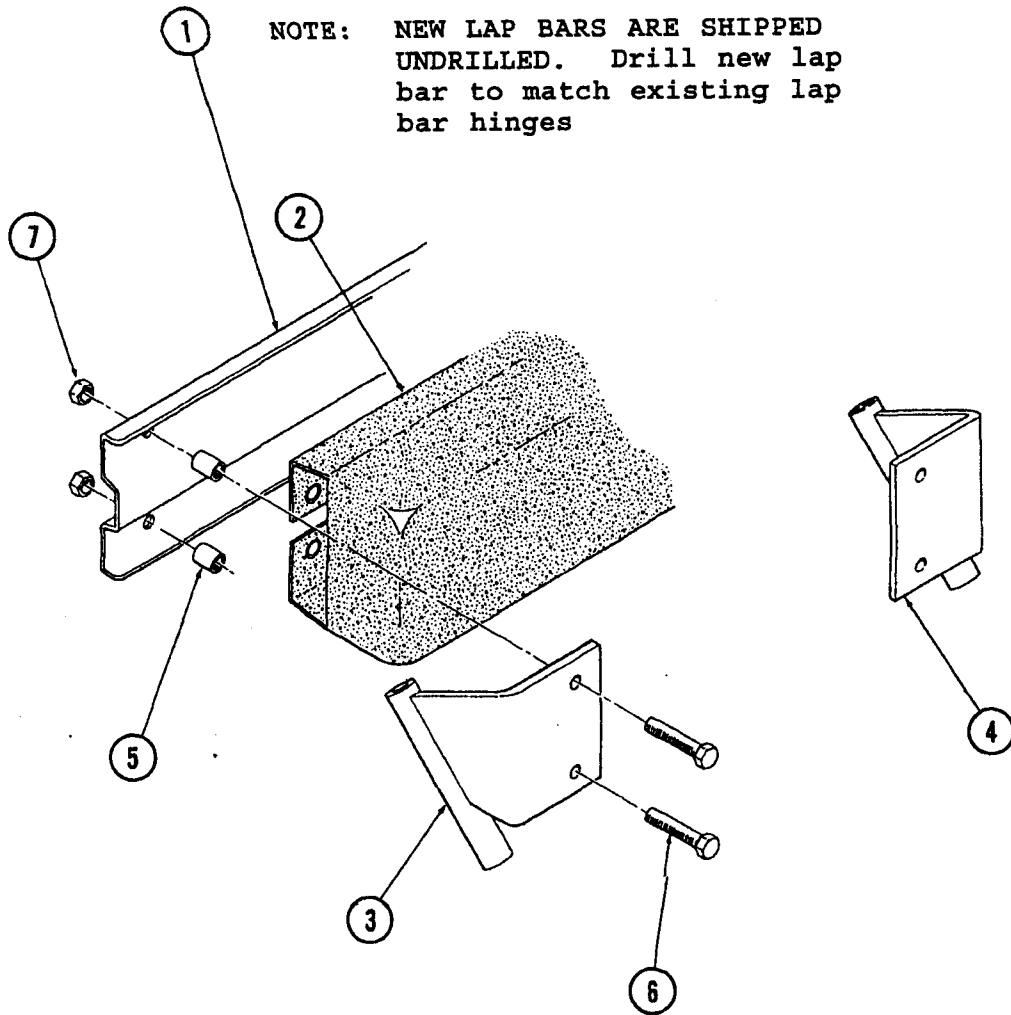
Inspect the lap bar on every vehicle for the following:

1. The lap bar must be identical to the lap bar shown below. The core must be formed steel. WOOD LAP BARS AND LAP BARS WITH "FORMED-FOAM" PADDING ARE NOT ALLOWED.
2. The lap bar must be installed exactly as shown. The bolts which fasten the lap bar to the lap bar hinge at each side must be 3/8-16 x 1-1/2" long, with the tubular spacer installed between the lap bar and the hinge. Tighten the mounting bolts to 19-24 ft-lbs.
3. Lap bar padding must be in good repair. Minor repairs to the replaceable factory padding are permissible, if its original size and shape are not altered.

Install Lap Bar On
This Side Of Lap Bar Hinge



NOTE: NEW LAP BARS ARE SHIPPED UNDRILLED. Drill new lap bar to match existing lap bar hinges



PARTS LIST

(Use this parts list to order any necessary parts)

<u>Item</u>	<u>Part No.</u>	<u>Description</u>	<u>Qty. Reqd.</u>	<u>Per Seat</u>
1	30387700	STIFFENER BAR (1062615-001)	12
2	22079000	LAP BAR PAD (1081153-001)	12
3	33346500	LAP BAR HINGE (1062612-001)	1
4	33347200	LAP BAR HINGE (1062612-002)	1
5	37024400	SPACER - Tubular (1062637-001)	4
6	60767000	CAPSCREW - Hex Head (3/8-16 x 1-1/2)	4
7	64781600	LOCK NUT - Essna (3/8-16)	4