



NUMBER: B106R1051-0

DATE: Feb. 1, 1990

SUPERSEDES:

SERVICE BULLETIN

Effective Serial Number: All Units with a manufacturing date that is one year old or older

Ride: ZIPPER

Subject: AXLE FRAME INSPECTION AND REINFORCEMENT PLATE KIT

Proper alignment of the axles frames is essential to smooth operation and long service life of all components. If the ride is operated with misalignment, the axle frames can develop cracks, and eventually fail, resulting in possible injury to passengers.

As a safety precaution, Chance Rides, Inc. requires that all ZIPPER amusement ride axle frames be inspected and kit no. K05-0350-00 be installed.

Perform the inspection and the addition of kit no. K05-0350-00, using the instructions on the reverse side of this bulletin. Return the attached Certification Of Compliance for this work within fifteen (15) days from receipt of the kit.

NOTICE

All work must be performed by qualified personnel, capable of understanding the function of the parts and their proper installation.

Use only those components authorized, specified or provided by the manufacturer. If any alterations and/or modifications or additions and installations of unauthorized components are made to the original design without the manufacturer's explicit written consent or without direct supervision by a manufacturer's representative, Chance Rides, Inc. makes no claim as to the integrity of the altered or modified ride.

Install kit no. K05-0350-00 as shown in Illustrations B and C. Two plates must be added to each end of every axle frame.

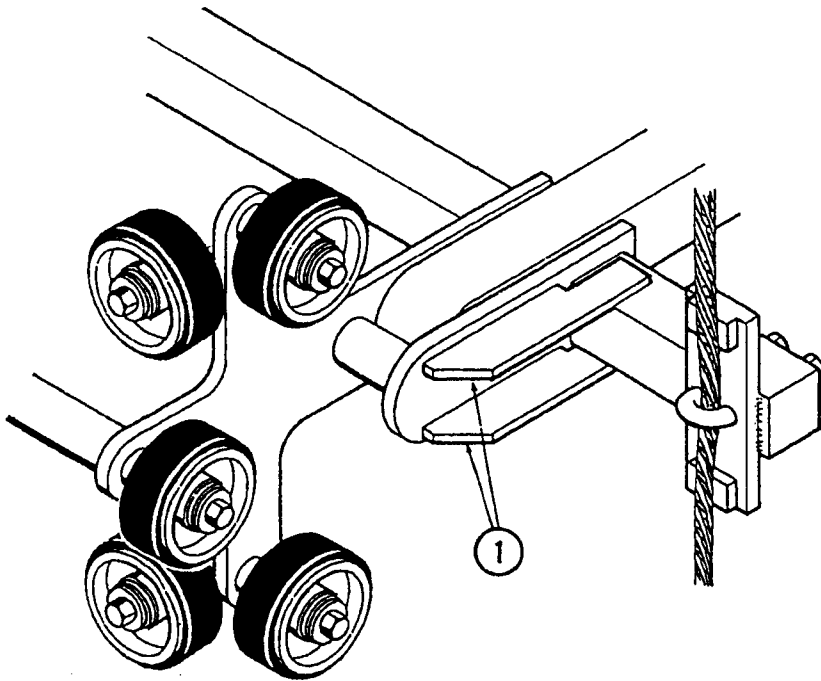


ILLUSTRATION B

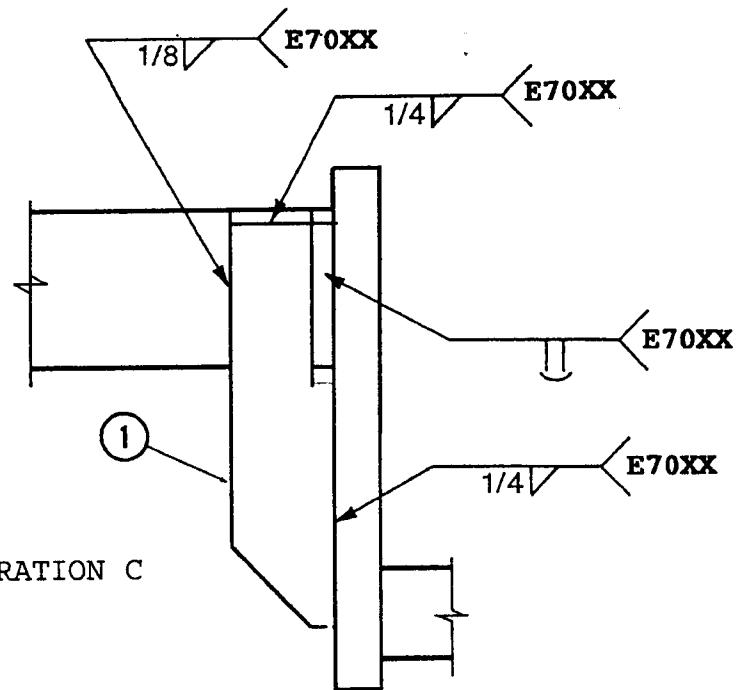


ILLUSTRATION C

PARTS LIST

Kit Number K05-0350-00 Axle Frame Rework

<u>Item</u>	<u>Part No.</u>	<u>Description</u>	<u>Qty.</u>
1	71531600	3/8 x 1-1/2 x 8" Plate	48