



NUMBER: B106R1094-0

DATE: MAR. 1, 1991

SUPERSEDES:

SERVICE BULLETIN

Effective Serial Number: All Units - Chance Rides, Inc.

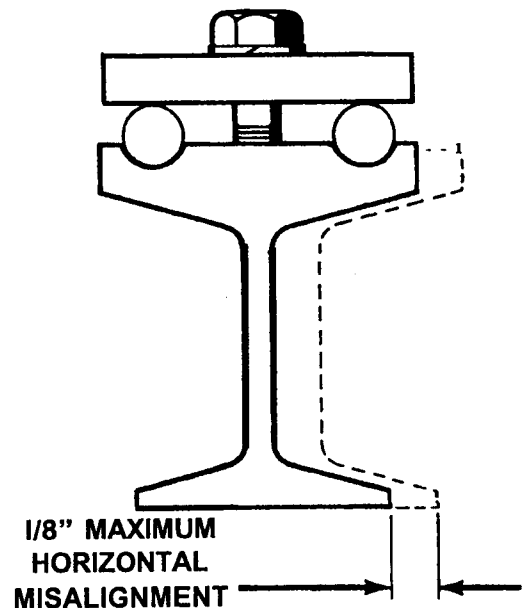
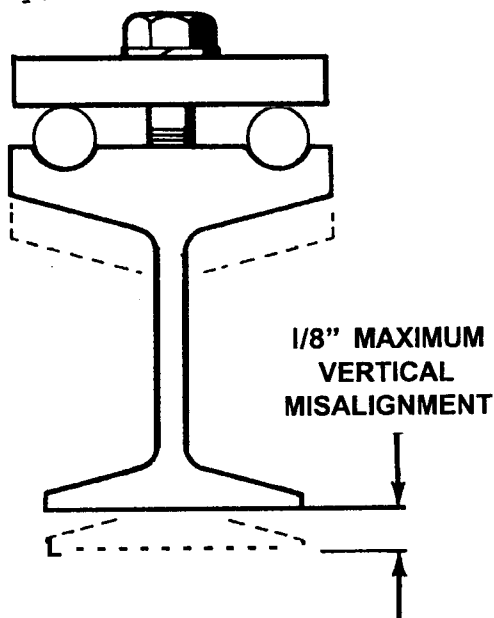
All Units - Chance Manufacturing Co., Inc.

Chance Rides, Inc. SPECIFICALLY DISCLAIMS ANY LIABILITY for losses associated with rides produced by Chance Manufacturing Company, Inc.

Ride: ZIPPER

Subject: Track Alignment/Trolley Bolts

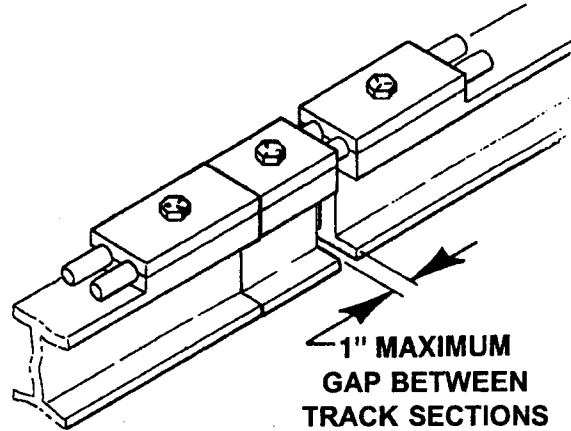
Chance Rides, Inc. has become aware of at least one ZIPPER amusement ride on which the straight track and the curved tracks became misaligned. If this occurs, damage to both the wheels and the bolts holding the wheels may occur. Chance Rides, Inc. requires all ZIPPER owner/operators to check the alignment of the track at each set up or monthly, whichever occurs first.



The maximum misalignment of the track sections, in either an up and down or side to side direction is 1/8".

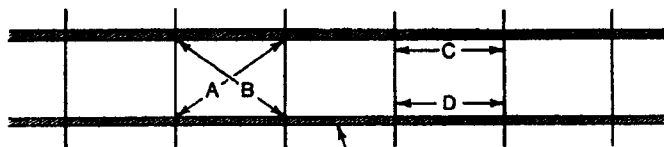
All owner/operators of ZIPPER rides must adhere to the following maintenance on the track and trolley wheels.

1. Use only the proper track spacers, attaching plates and pins (refer to Chance Rides service bulletins, numbers B106R1008-0 and B106R1013-0). Only grade 5 1/2-13 x 1-1/4" hex head cap screws are to be used. All items must be in good condition.
2. Maintain the smallest possible gap between the straight and curved sections of track. The maximum total allowable gap between track sections is 1" (refer to Chance Rides service bulletin number B106R1008-0).



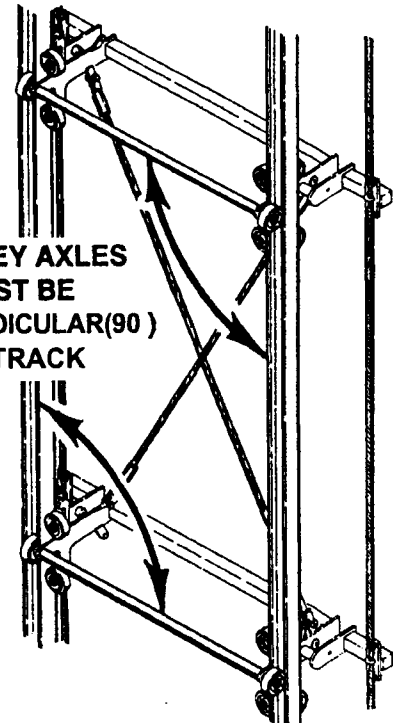
3. Trolley axles must be perpendicular to the track so the wheels run freely and do not bind.

Trolley axles are properly aligned when "A" = "B" and "C" = "D".

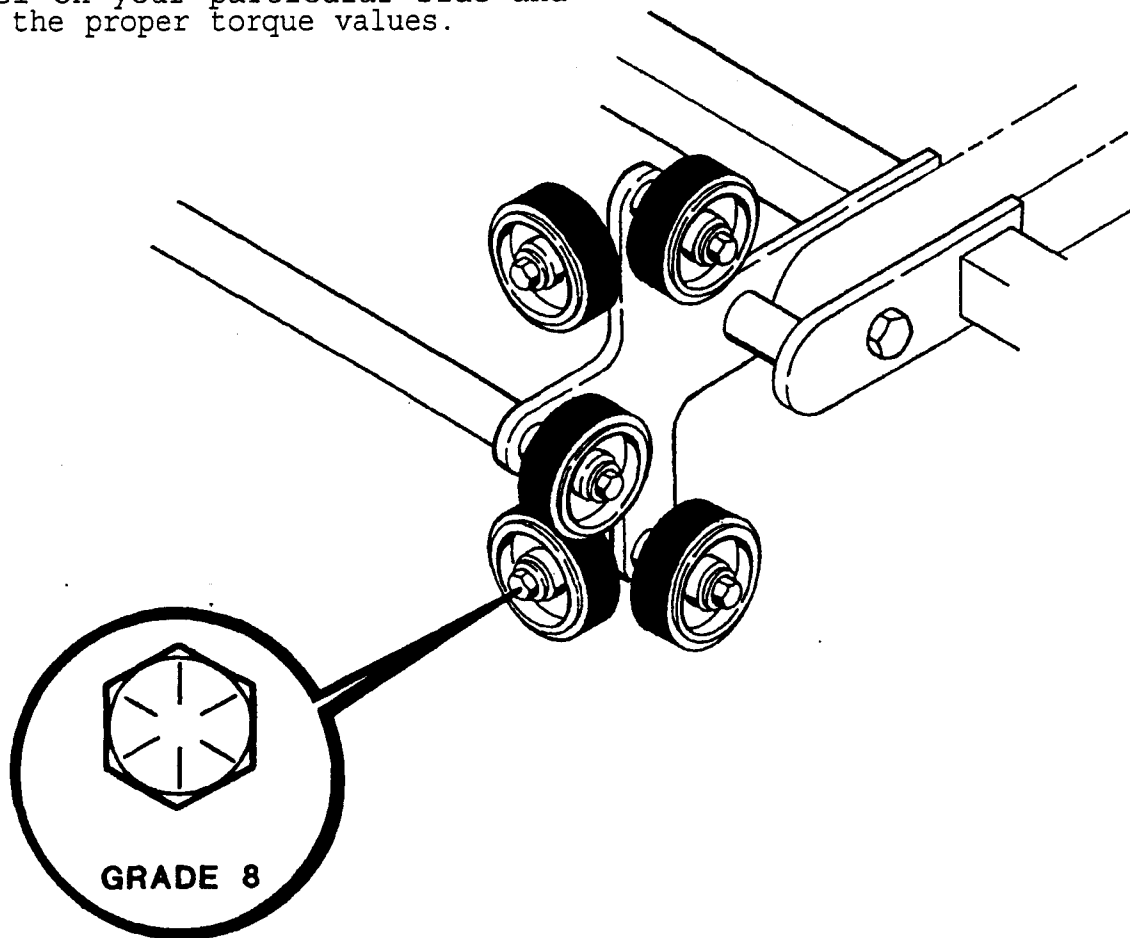


SEAT SUPPORT AXLE DRIVE CABLE

TROLLEY AXLES
MUST BE
PERPENDICULAR(90)
TO TRACK



4. All trolley wheels must be secured with grade 8 bolts. Refer to the operation/maintenance manual for the correct length bolt for each wheel on your particular ride and for the proper torque values.



All work must be performed by qualified personnel,, capable of understanding the function of the parts and their proper installation.

NOTICE

Use only those components authorized, specified or provided by Chance Rides, Inc.

Chance Rides, Inc. SPECIFICALLY DISCLAIMS ANY LIABILITY for losses associated with any unauthorized alterations and/or modifications or additions and installations of unauthorized components.