



NUMBER: B106R1096-0

DATE: APRIL 5, 1991

SUPERSEDES:

SERVICE BULLETIN

Effective Serial Number: All Units - Chance Rides, Inc.

Ride: ZIPPER

Subject: Seat Spindle Lubrication

Chance Rides, Inc. has become aware that some ZIPPER amusement rides have experienced wear to the seat spindles in the bearing areas and to the bearings as well. This is caused by a lack of lubrication in those areas. A loss of lubrication to some bearings may occur due to settling during roading.

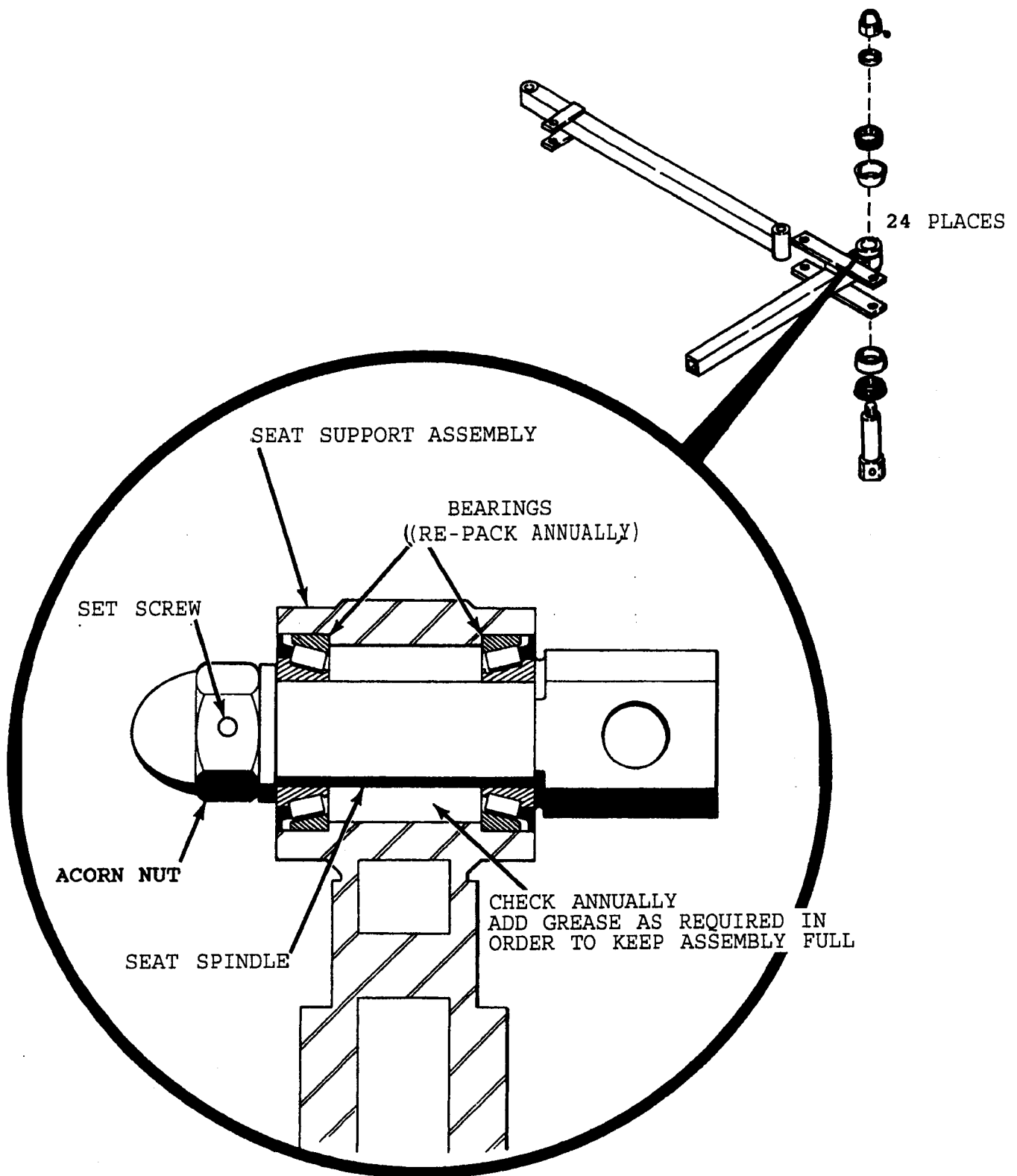
Proper lubrication of the bearings and the seat support assemblies is essential to minimize wear. The bearings in the seat support assemblies must be repacked annually. The seat support assemblies must be checked annually and repacked as required to keep them full of grease. Use only number 2 lithium base grease on bearings and in the seat support assemblies.

All work must be performed by aqualified personnel, capable of understanding the function of the part's and their proper installation.

NOTICE

Use only those components authorized, specified or provided by Chance Rides, Inc.

Chance Rides, Inc. SPECIFICALLY DISCLAIMS ANY LIABILITY for losses associated with any unauthorized alterations and/or modifications or additions and installations of unauthorized components.



When reassembling, tighten acorn nut until all back and forth movement of the seat spindle is eliminated. Seat spindle must still turn freely. Secure acorn nut with set screw.