



NUMBER: B106R1151-0

DATE: JULY 1, 1994

SUPERSEDES: B05-0257-00

SERVICE BULLETIN

Effective Serial Number: All Units - Chance Rides, Inc.
All Units - Chance Manufacturing Co., Inc.

Chance Rides, Inc. SPECIFICALLY DISCLAIMS ANY LIABILITY for losses associated with rides produced by Chance Manufacturing Company, Inc.

Ride: ZIPPER

Subject: Replacement of Spring Latches

Chance Manufacturing Co. Inc., Service Bulletin Number B05-0257-00 has been superseded by this Service Bulletin and is no longer in effect. All copies of Service Bulletin B05-0257-00 should be destroyed.

Chance Rides, Inc., through testing and design change, has developed a new spring latch assembly for the vehicle doors on above noted ZIPPER amusement rides. This new spring latch assembly makes use of a new style backing plate, a new leaf spring, and a spring latch. This design extends the life of the spring latch.

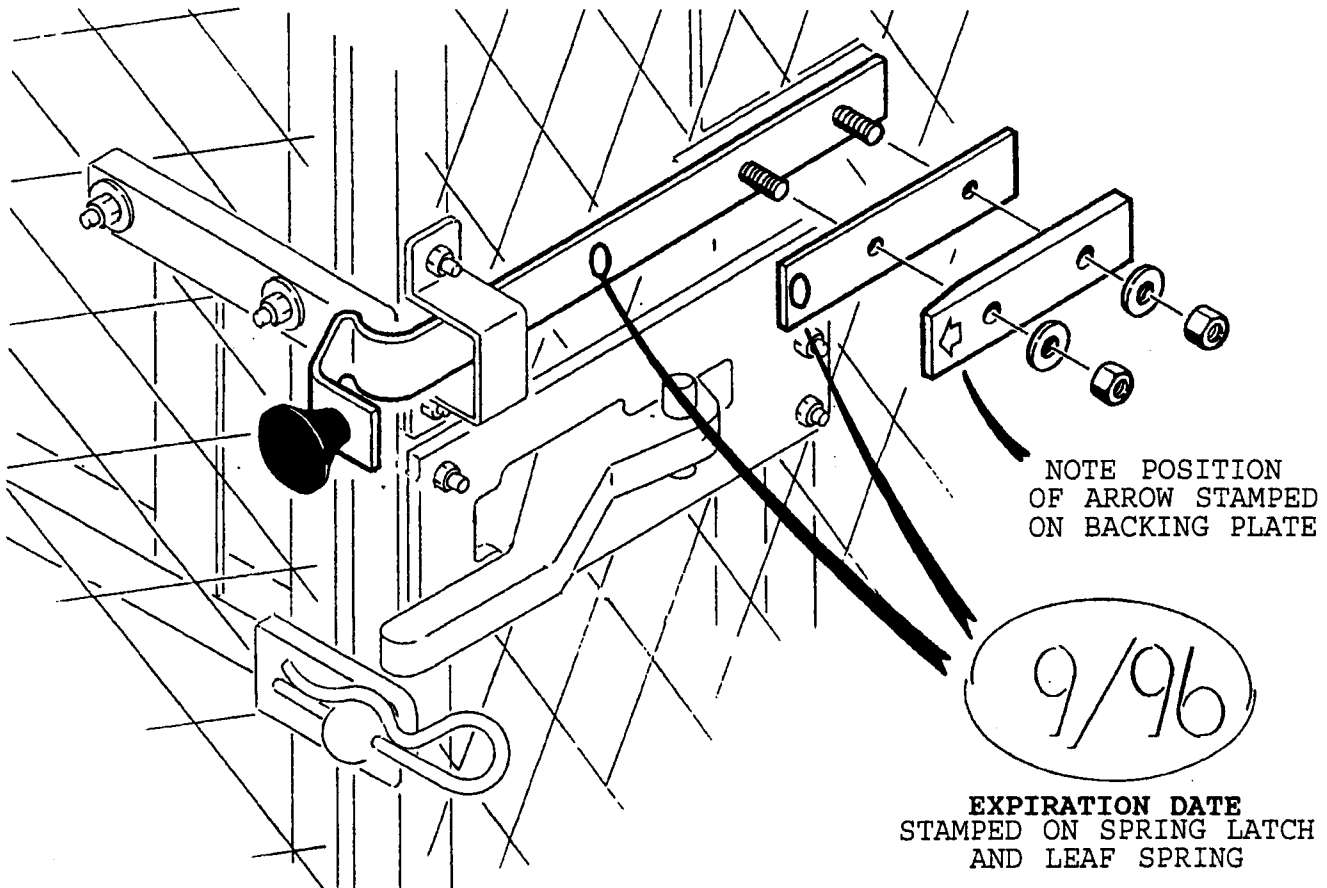
Both the spring latch and leaf spring are dated items. They are stamped with an expiration date and must be replaced on or before that date. The spring latch and the leaf spring are good for up to a maximum of a two (2) year period, and are dated for the last month of the preceding quarter in which they are shipped. Dated items ordered in January, February and March will be dated "12" for the last month (December) of the preceding quarter; those ordered in April, May and June will be dated "3" for the last month (March) of the preceding quarter; those ordered in July, August and September will be dated "6" for the last month (June) of the preceding quarter; those ordered in October, November and December will be dated "9" for the last month (September) of the preceding quarter.

If the expiration date has been altered painted over, or is illegible, the spring latch or leaf spring must be replaced.

Replacement parts: (parts must be used in combination with each other)

<u>Part Number</u>	<u>Description</u>	<u>Quantity</u>
33249700	Spring Latch	12
37204000	Leaf Spring	12
34940800	Backing Plate	12

IMPORTANT: The spring latches, leaf springs and backing plates must be installed exactly as shown in this bulletin.



All work must be performed by qualified personnel, capable of understanding the function of the parts and their proper installation.

NOTICE

Use only those components authorized, specified or provided by Chance Rides, Inc.

Chance Rides, Inc. SPECIFICALLY DISCLAIMS ANY LIABILITY for losses associated with any unauthorized alterations and/or modifications or additions and installations of unauthorized components.