

1) INSPECT BOLT FOR WEAR AND CONFIRM BOLT AND NUT AS BEING 1" GRADE B
 2) INSPECT HOLES FOR WEAR

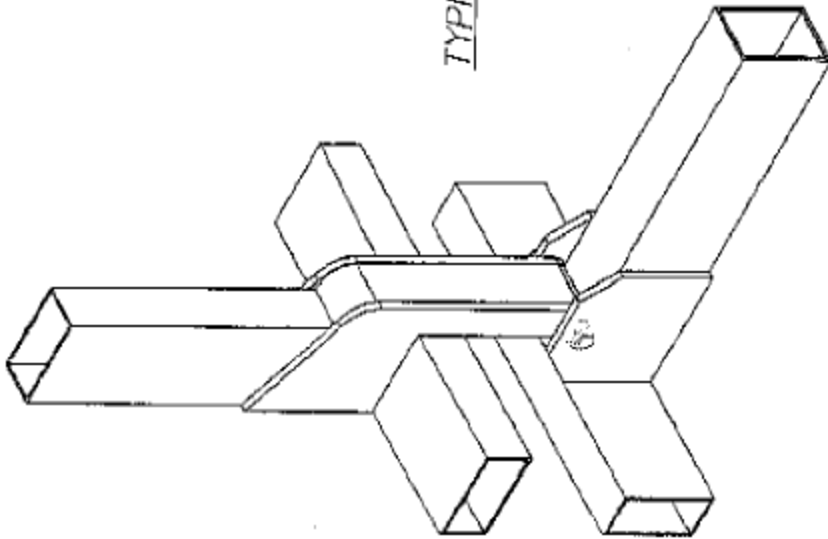
HINGE

(8 PER SIDE, 4 PER SIDE)
 OUTSIDE HINGE SHOWS THE
 INSIDE HINGES ARE SIMILAR

- NOTE:
1. WHILE LOWERING WINGS OBSERVE THE HINGES FOR MOVEMENT OR SLACK.
 2. WHEN THE WINGS ARE DOWN CHECK TIGHTENING BETWEEN THE WINGS AND CENTER SECTIONS TO SEE IF THERE ARE ANY GAPS ON THE TOP AND BOTTOM CAUSED BY TORN HINGES.
 3. HINGE BOLTS WILL BE 1" GRADE B. THE OUTSIDE HINGES REQUIRE A LENGTH OF 6" AND THE INSIDE HINGES WILL REQUIRE A LENGTH OF 7". CUT EACH BOLT OFF 1" FROM THE END OF THE NUT. USE A GRADE B LOCKWASHER.
 4. BOLTS ON THE HYDRAULIC LIFT ARE 1" GRADE 8 X 5/8".

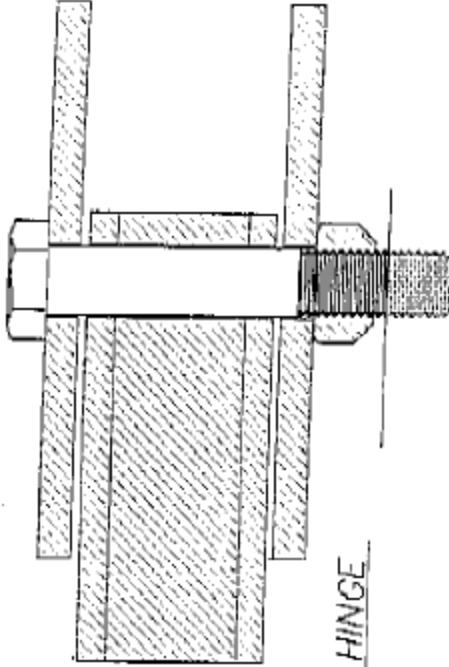
NOTE: BEFORE REMOVING ANY BOLTS, INSURE THE TURNABLE IS SET UP, ALL SUPPORTS AND TURNABLE BOLTS ARE IN PLACE, AND SET UP A SOLID SUPPORT UNDER THAT SECTION THE BOLT IS TO BE REMOVED.

WISDOM INDUSTRIES		Merino, CO 80741	
SCALE: 1" = 1'-0"	DRAWN BY:	DATE: 08/08/04	CHECKED:
DESCRIPTION:		HINGE INSPECTION	
EQUIPMENT:		GRANITRON/STARSHIP	
DRAWN BY:		REVIEWED BY:	
DATE:		TIME:	



ROTATED INNER HINGE ASSEMBLY

INNER HINGE SHOWN, OUTSIDE AND LIFT
HINGE ASSEMBLIES ARE SIMILAR



TYPICAL SECTION OF HINGE

BOLT
NOT TO SCALE

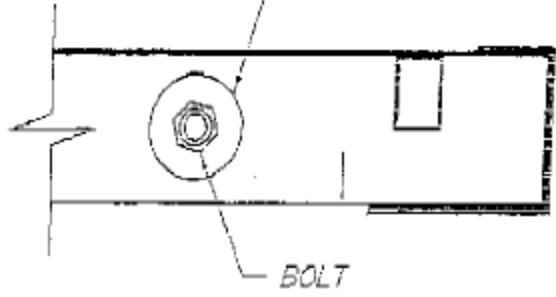
NOTE:
* TRIM BOLT 1/4"
FROM END OF NUT.

DRAWING: 7W 0211A

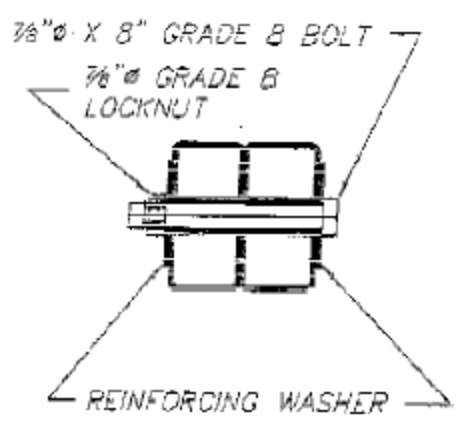
GRAVITRON / STARSHIP

TURNTABLE BOLT INSPECTION

REINFORCING WASHER 1/4" X 1 5/16" ID X 4 1/4" OD ϕ
PLATE ON THE INSIDE OF THE WINGS AND
THE CENTER OF THE TURNTABLE ASSEMBLY



SIDE VIEW OF
TURNTABLE BOLT



SECTION VIEW OF
TURNTABLE BOLT

NOTE:

1. INSPECT NUTS AND BOLTS TO INSURE GRADE 8.
2. CHECK BOLT AND NUT FOR WEAR. IF BOLT SHOWS WEAR OR THE THREADS SHOW NICKS OR WEAR REPLACE.
3. THE REINFORCING WASHER IS WELDED IN PLACE ON THE NEWER RIDES, ON THE OLDER RIDE THIS WASHER MAY BE HELD IN PLACE BY THE WASHER.
4. THIS BOLT WILL NOT BE USED TO DRAW THE SECTIONS TOGETHER, IF THIS REQUIRED CHECK THE HINGES TO CORRECT THIS PROBLEM.

WISDOM INDUSTRIES Merino, CO 80741	APPROVED BY:	
	PARTITION TURNTABLE BOLT INSPECTION	DATE: MAY 1 9 2004
ENVY: GRAVITRON / STARSHIP	DRAWN BY: JJR	7W 042

102-F001\3810-4859\7 > 04/09/04 - 14:29:40

7W042