

	<b>Mack Rides GmbH &amp; Co KG</b> Mauermattensstraße 4 79183 Waldkirch Germany ☎ 0049 / 7681 / 2000-0 ☎ 0049 / 7681 / 2000-699 🌐 www.mack-rides.com	<b>Bulletin No.:</b> 1
		<b>Release Date:</b>
		<b>Effective Date:</b> 27th of July 2005
		<b>Supersedes:</b>
		<b>Completion Date:</b>
		<b>Page:</b> 1 of 1

## Safety Alert

<b>Ride Manufacturer:</b> Mack Rides GmbH & Co KG	<b>Affected Component/s:</b> Vehicle connection
<b>Ride Name:</b> Runaway Mine Train / Powered Coaster	<b>Affected Serial Nos:</b>
<b>Model Number:</b>	

**Abstract of Issue:**  
On the basis of an incident which happened recently on the Runaway Mine Train / Powered Coaster ride, we would like to inform you on a possible source of danger at the coupling/connecting rod between the vehicles at the Runaway Mine Train / Powered Coaster ride.

**Preliminary Measures to be taken:**  
Please inspect the three bolted connections Pos. 9, 10 and 13 on their faultless condition, particularly the rear bolted connection.  
The solely use of original spare parts must be warranted.  
This applies particularly to the swivel head Pos. 3.1.  
See attached spare parts list as well as drawing.

**Action to be taken: (Inspection, Modification, Replacement, NDT, Order, Parts, Manual Revision, Procedural Change, etc.)**  
In consideration of the fact that the investigations have not been completed yet, this Safety Alert serves as a preliminary information only.  
After completion of the investigations we will inform you on possibly necessary measures to be taken immediately.

**Detail of Issue: (Text, Drawings/Schematics)**

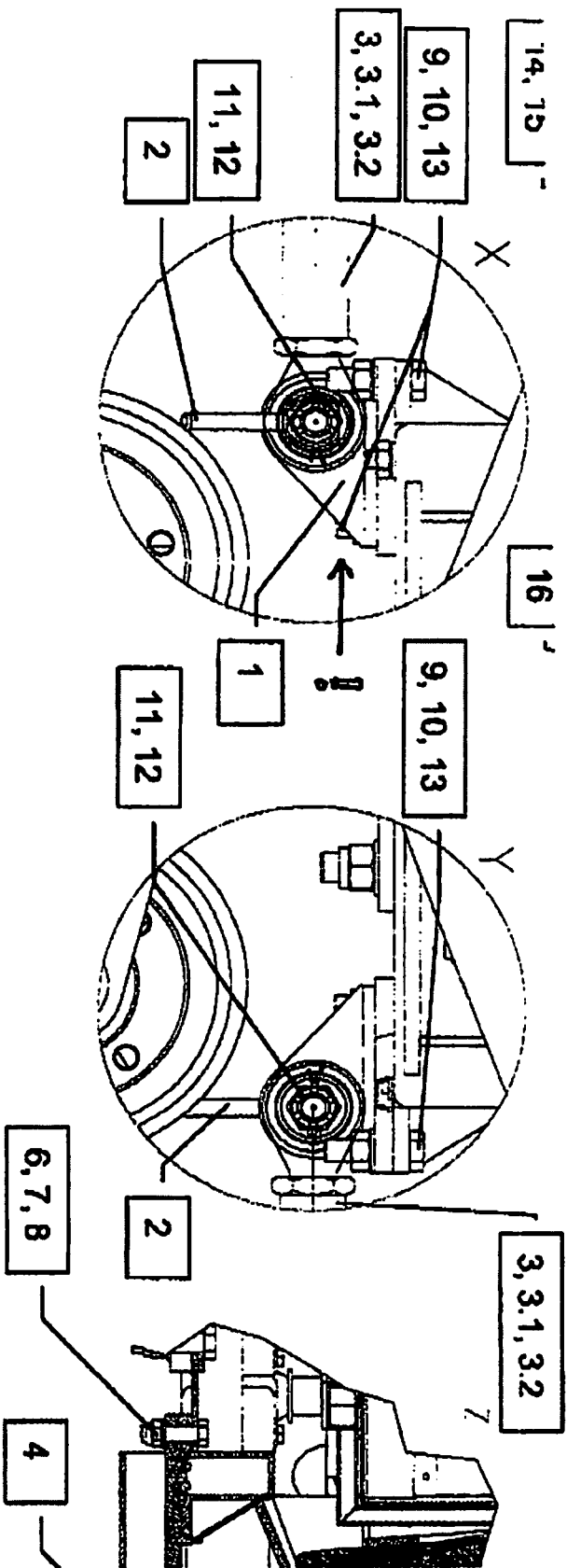
**Mack Rides GmbH & Co KG**

pp



**Edmund Schneider**  
Spare Parts and Customer Service Manager

Tel.: +49 (0)7681 2000-500  
Fax: +49 (0)7681 2000-7500  
Email: edmund.schneider@mack-rides.com





7 Spare part list

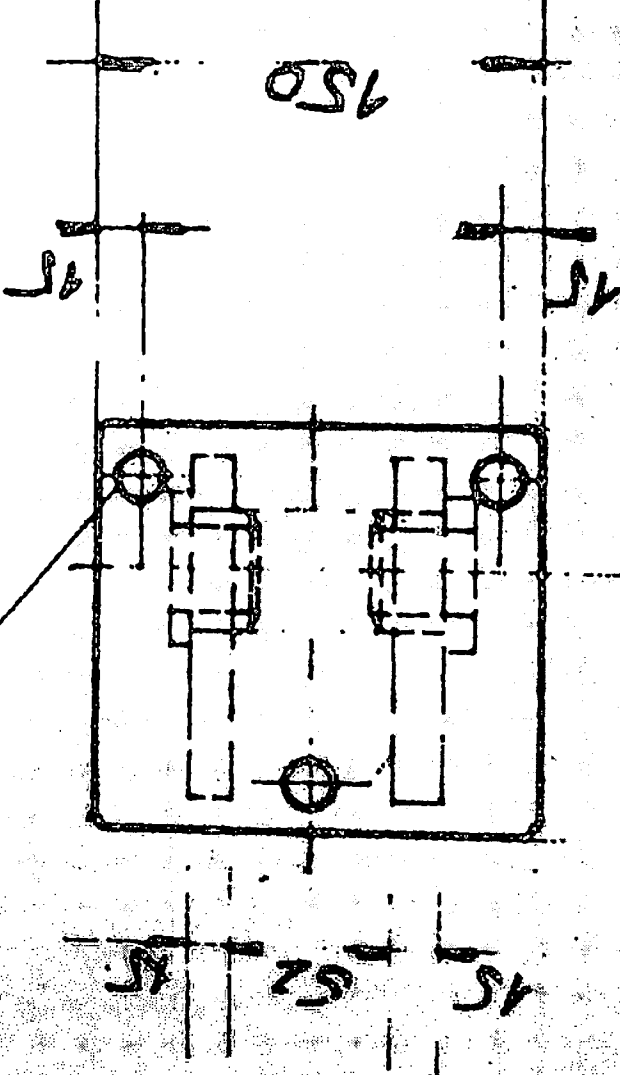
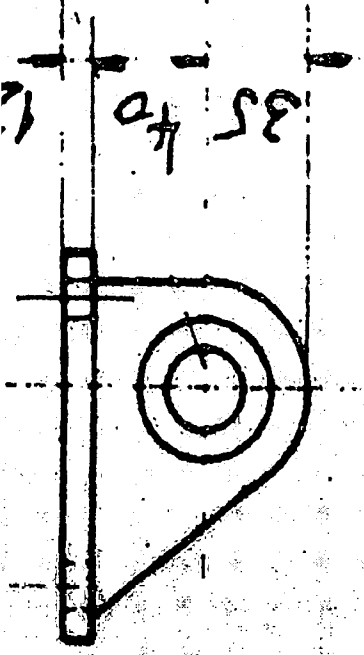
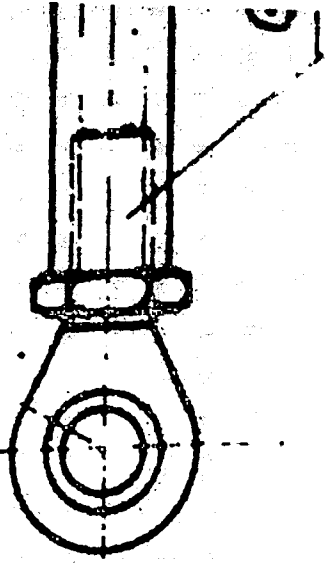
Material	Part	Quantity	Unit
Material	Part	Quantity	Unit

7.34

Traba

Zug

No.	Part Name	Material	Quantity	Unit
1	Kupplung für Verbindungsgänge	6S113-4020	8	0
2	Bolzen für Verbindungsgänge	5S113-4026	8	0
3	Verbindungsstange	5S08-4015	4	0
3.1	Gelenkkopf	8EM 3D	2	0
3.2	Sechskantmutter	M3Dx2 DIN 439	2	0
4	Halter für Fernpuffer	5S08-4220	1	0
5	Zahnpuffer	Pu 160	2	0
6	Sechskantschraube	M16 x 55 DIN 931	3	0
7	Scheibe	17 DIN 125	3	0
8	Sechskantmutter	M16 DIN 935	3	0
9	Scheibe	17 DIN 125	24	0
10	Sechskantmutter	M16 DIN 934	24	0
11	Spindel	Ø4 x 40 DIN 94	8	0
12	Kronenmutter	M20 DIN 979	8	0
13	Sechskantschraube	M16 x 65 DIN 931	24	0
14	Strombrecher	KST 100/30 PA-PH	8	1
15	Stromabnehmer	KST 100/30 PA-PE	2	1

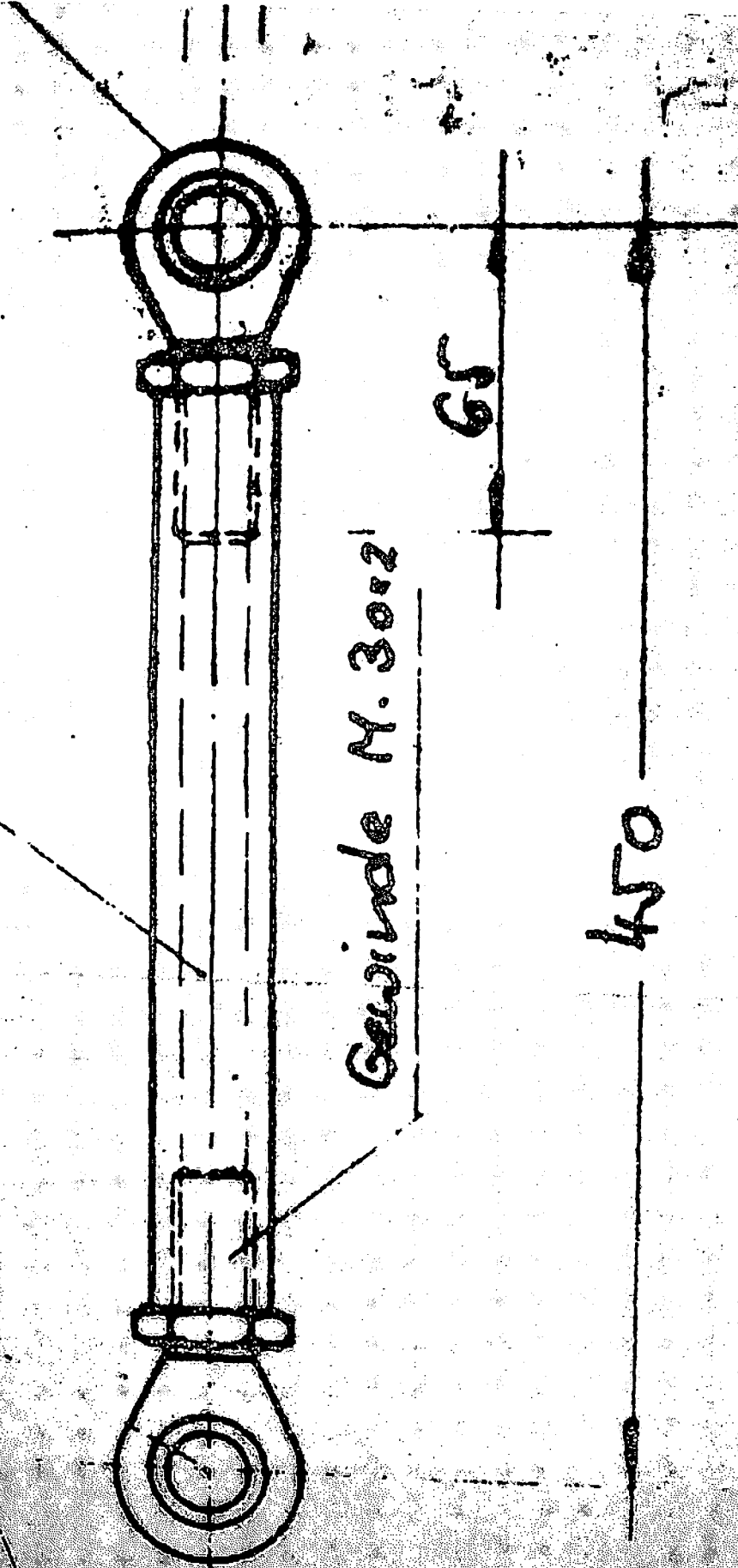


Schraube M.16

135

18005

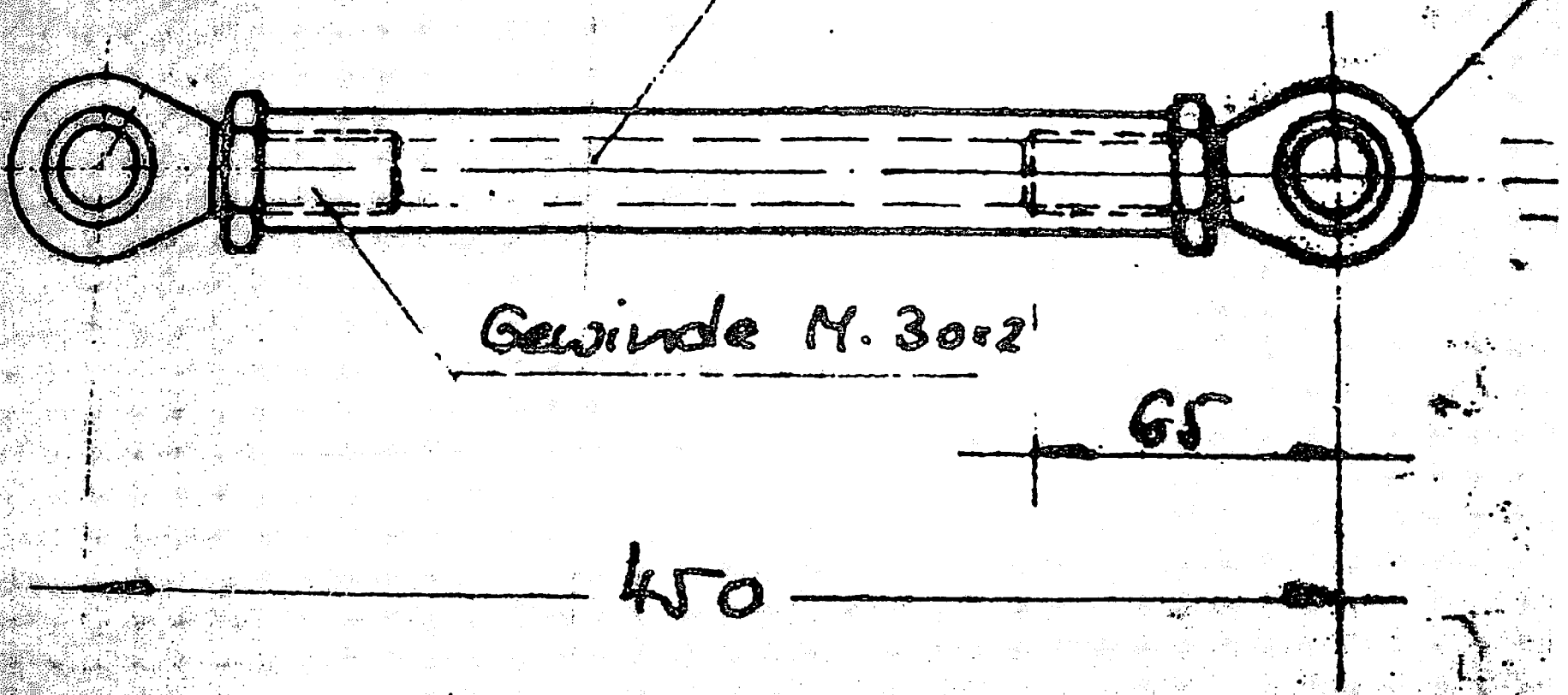
f. Bolzen + 30 gesichert  
 m. Kronenmutter M20x1,5 42x10 St. 55



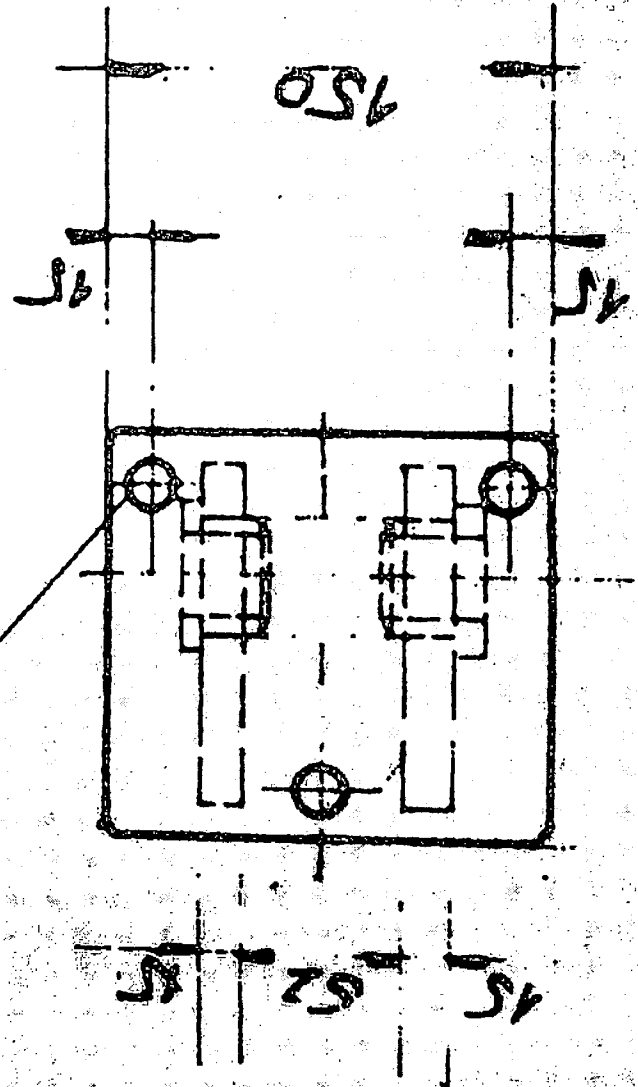
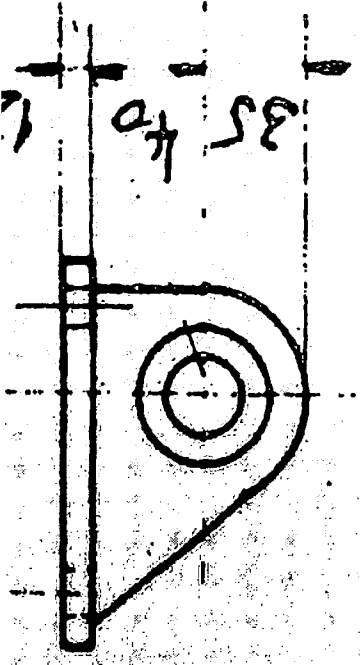
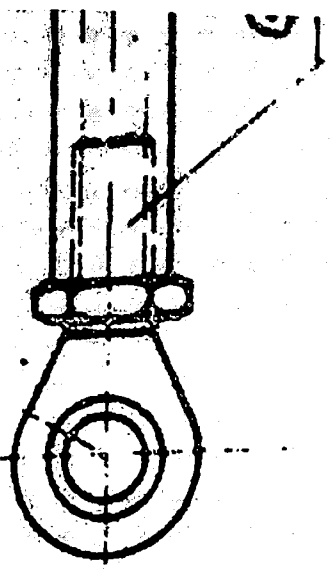
Gewinde M. 30x2

	14	10	Scheib
Z	13	10	1085-160 Radn

f. Bolzen + 30 gesichert  
 m. Kronenmutter M. 20x1,5 42x10 St. 55



	14	10		Scheib
z	13	10	1085-160	Radn



Schraube M.16

135

18005