



Mack Rides GmbH & Co KG
Mauermattenstraße 4
79183 Waldkirch
Germany
☎ 0049 / 7681 / 2000-0
☎ 0049 / 7681 / 2000-699
🌐 www.mack-rides.com

Bulletin No.: 1
Release Date:
Effective Date: 6th of February 2007
Supercedes:
Completion Date:
Page: 1 of 1

Service Information

Ride Manufacturer : Mack Rides GmbH & Co KG	Affected Component/s: Connection between vehicles
Ride Name: Runaway Mine Train / Powered Coaster	Affected Serial Nos:
Model Number:	

Detailed Description:

We kindly would like to inform you on a new development from the Mack Rides, which will increase the safety of your Runaway Mine Train Ride (Powered Coaster).

This new development is an additional safety rope to be attached above the existing connecting rod.

The existing connecting rod is statically calculated and is, of course, in accordance with the required DIN 4112.

We would like to point out that the used risk analysis acts on the assumption of a correct installation and maintenance, inspections of all components at regular intervals and the use of original spare parts.

In order to keep the risk to a minimum, we would like to offer and recommend you the additional safety rope mentioned before.

The costs for one connecting rope including two pieces of couplings are **225.-- € per connection**, without installation.

Please find attached one corresponding drawing showing the intended attachment of the safety rope.

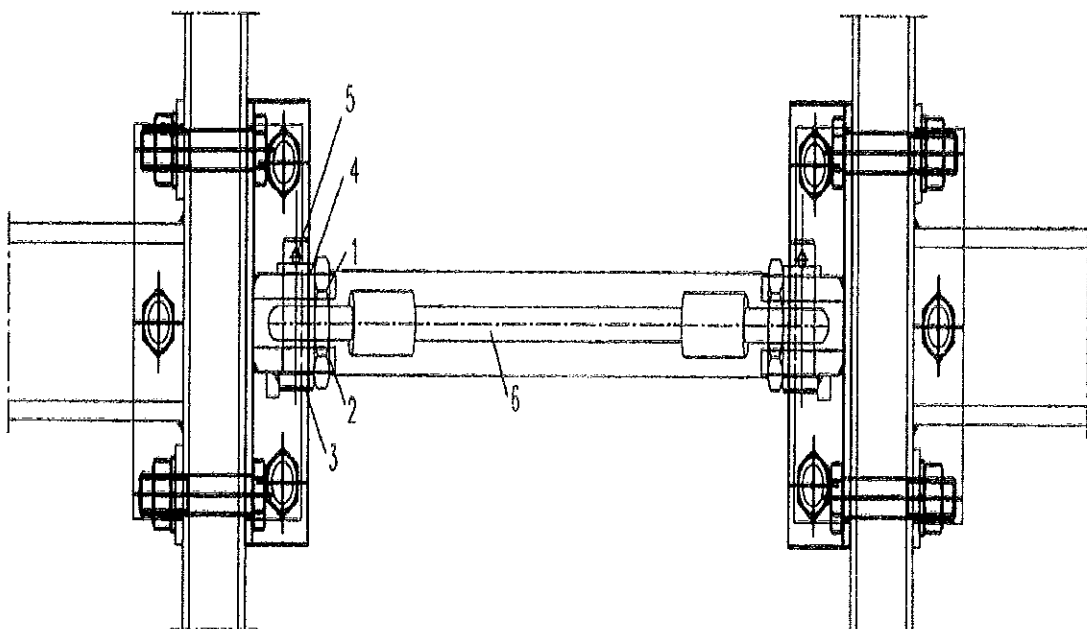
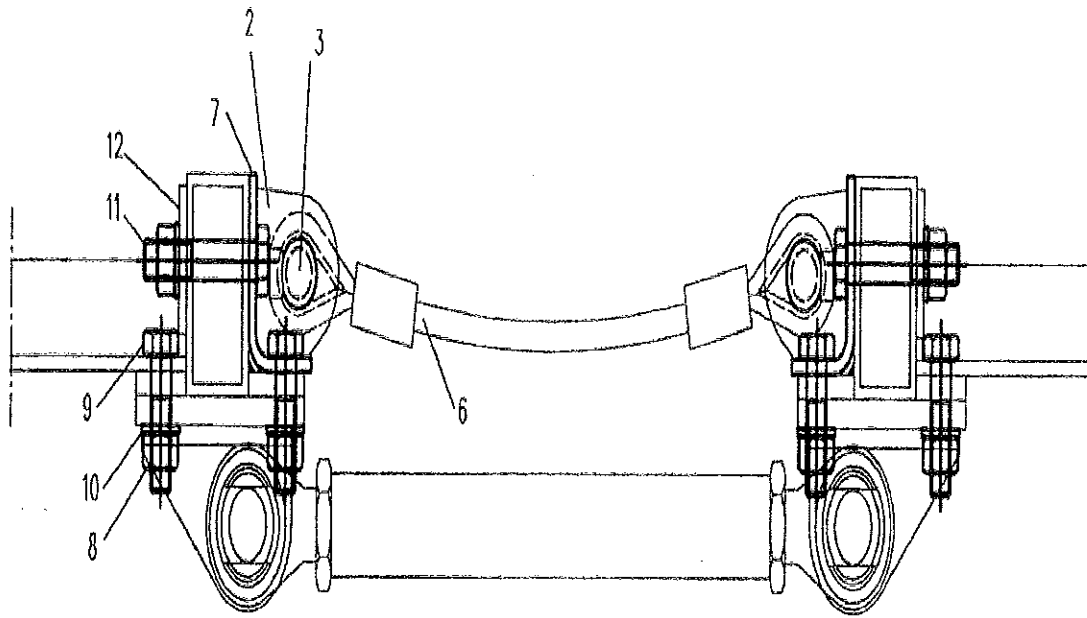
We hope that our new development is of interest to you and very much look forward to receiving your purchase order.

Mack Rides GmbH & Co KG

pp

Edmund Schneider
Spare Parts and Customer Service Manager

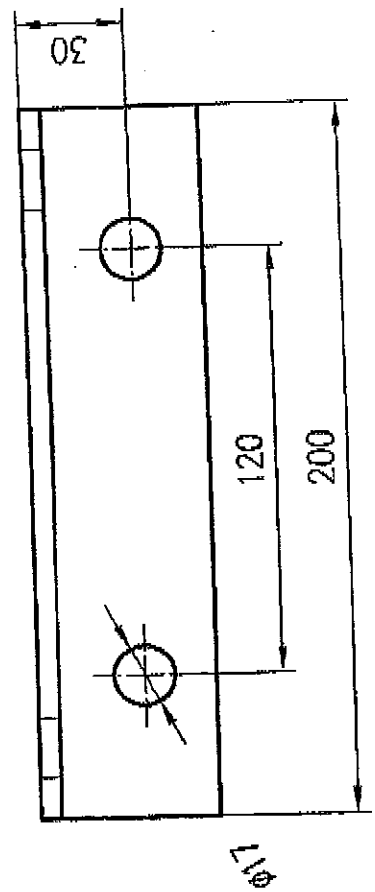
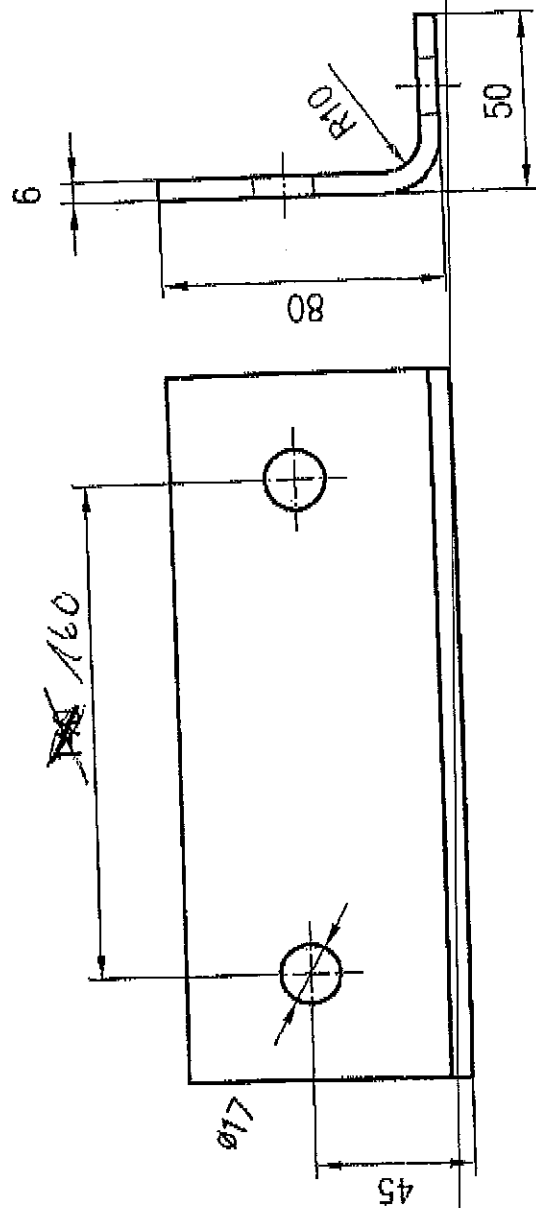
Tel.: +49 (0)7681 2000-500
Fax: +49 (0)7681 2000-7500
Email: edmund.schneider@mack-rides.com

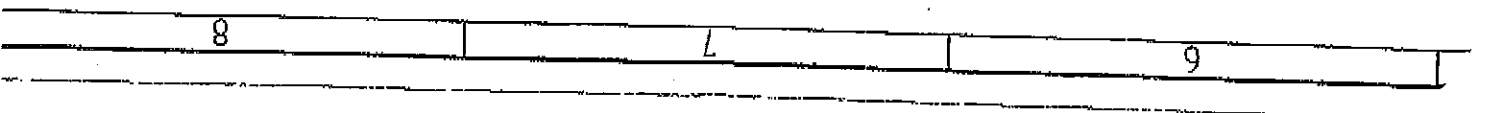
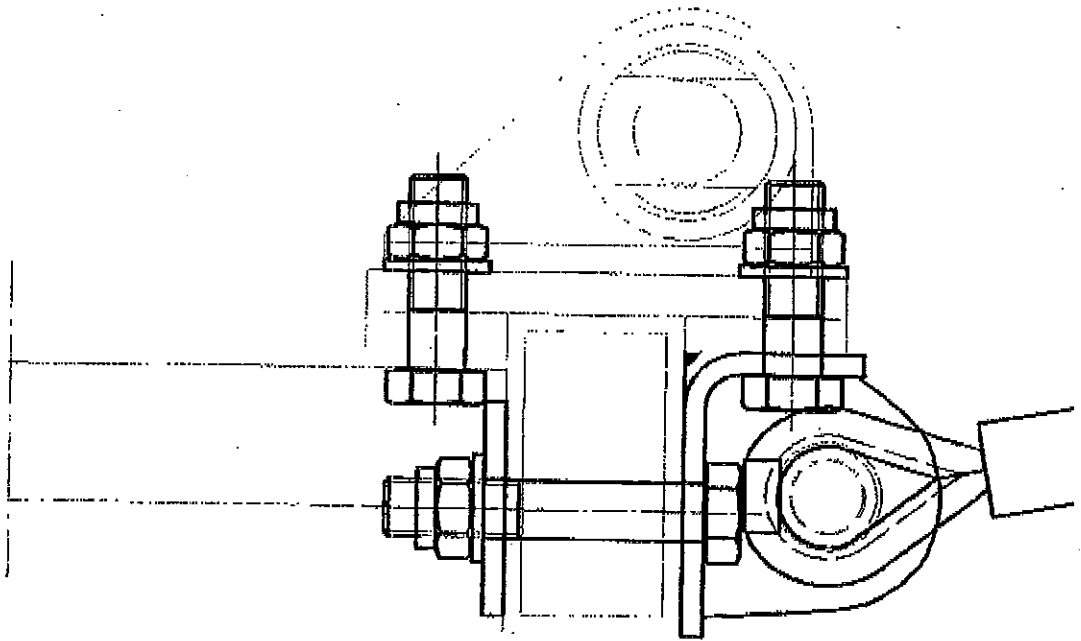
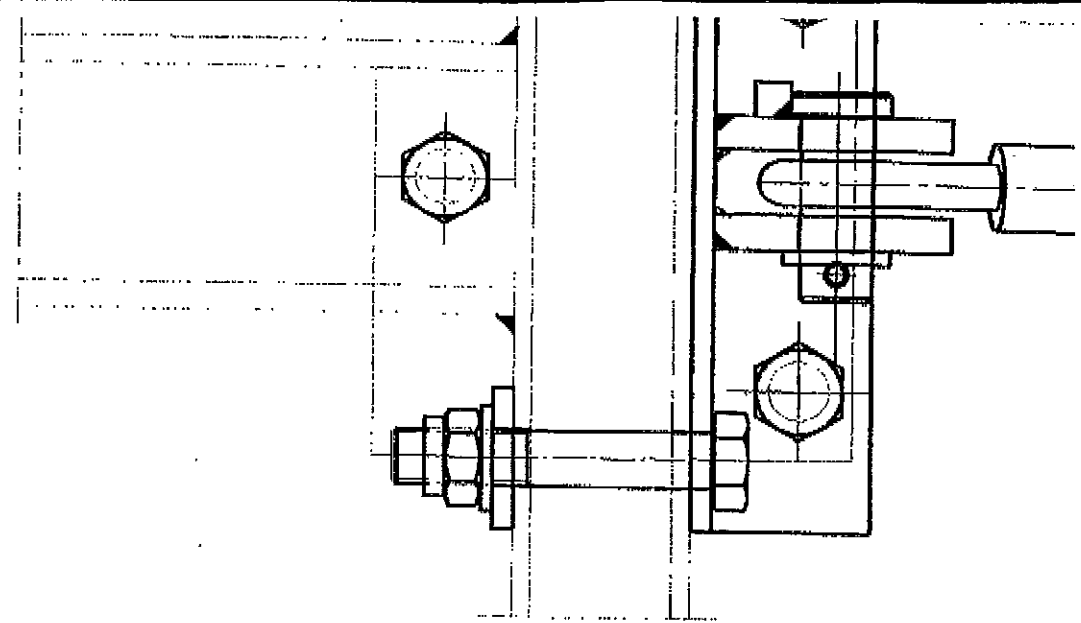


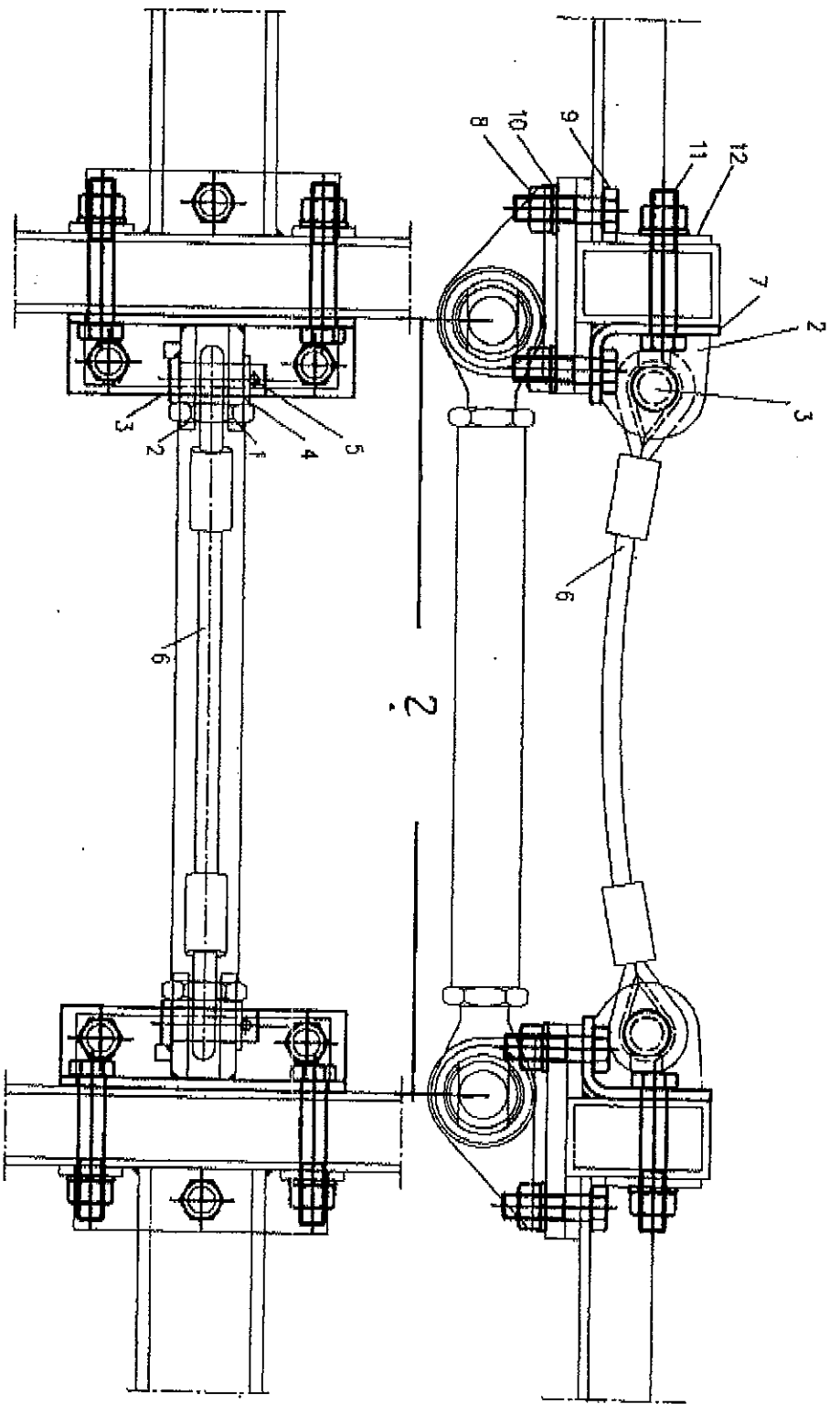
Art. Nr.	Art. der Montage	Stück	Stück	anz.
Allgemeine Anweisung DIN EN 5710-101 DIN EN 50073-2		Diese Zeichnung ist Eigentum der Firma Rides GmbH & Co. KG Jede Vervielfältigung Verbreitung oder Ver- wendung ohne schriftliche Genehmigung ist ausdrücklich untersagt		
MAEK Rides GmbH & Co. KG Maschinenstraße 4 D-77459 Waldkirch		Datum 2012	Zeichner A2	Prüfer A2
Projekt Powered Coaster		5313-4060 1		
Bezeichnung Seilsicherung schraubbar safety rope system		5313-4060 1		

to Martin Pettifiv
 Rigards
 Edmund

7 BL 200x6xgestreckte Länge







*? we need this measurement to deliver
the correct length of the safety rope*

MARK Roller coaster & Dr. KG Roller coaster & Dr. KG Roller coaster & Dr. KG		5318-4060 1 A2	
Powered Coaster Selbstföhrung schraubbar safety rope system		5318-4060 1 A2	