

HARNESS DEVICE MAINTENANCE

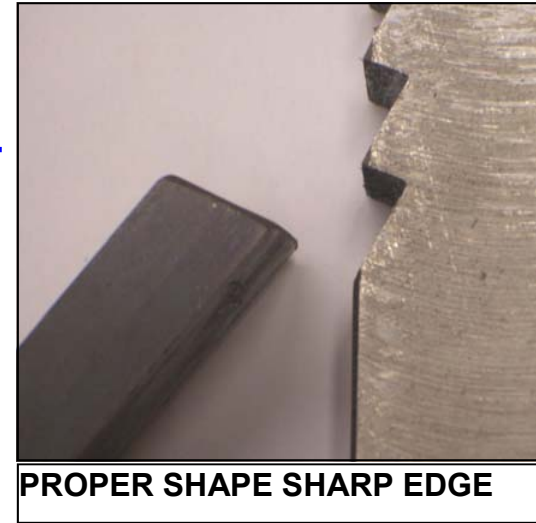
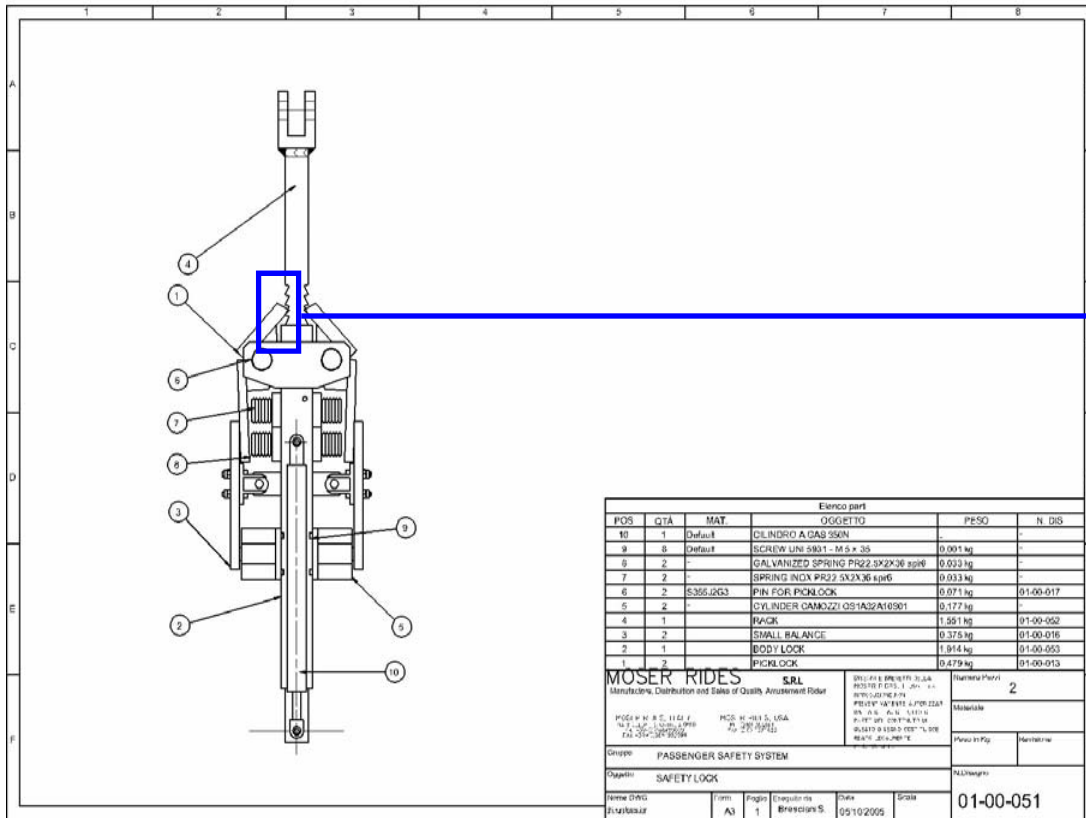
In order to have the HARNESS DEVICE working properly and in full safety the maintenance, as per attached Bulletin 002 10.10.05 3 pages, has to be carried out.

Should you have any queries, contact Ph.: +39/0386 800001
Fax: +39/0386 802099 E-mail: moser@moserrides.com

MOSER RIDES SRL

VIA ABETONE BRENNERO, 46035 OSTIGLIA
PH +39 0386 800001 – FAX +39 0386 802099
EMAIL moser@moserrides.com

HARNES RATCHET ASSEMBLY

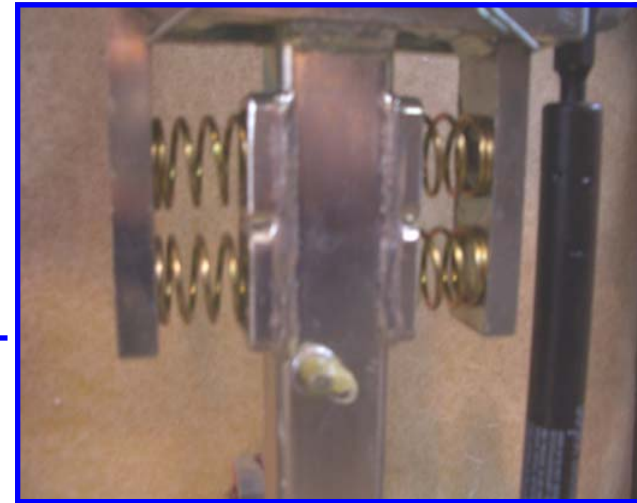
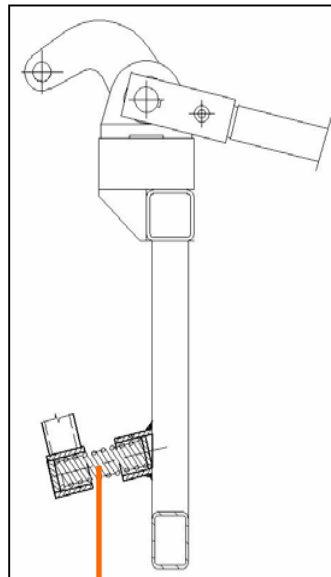
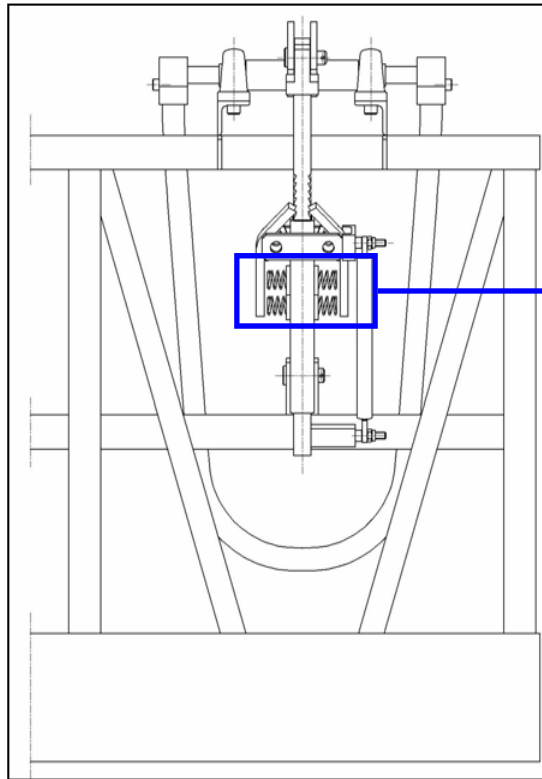


MOSER RIDES SRL
 VIA ABETONE BRENNERO, 46035 OSTIGLIA
 PH +39 0386 800001 - FAX +39 0386 802099
 EMAIL: moser@moserrides.com



GONDOLA SPRINGS

SPRINGS SHALL BE REPLACED EVERY YEARS



MOSER RIDES SRL

VIA ABETONE BRENNERO, 46035 OSTIGLIA
PH +39 0386 800001 - FAX +39 0386 802099
EMAIL moser@moserrides.com