



**WISDOM
INDUSTRIES, Ltd.**

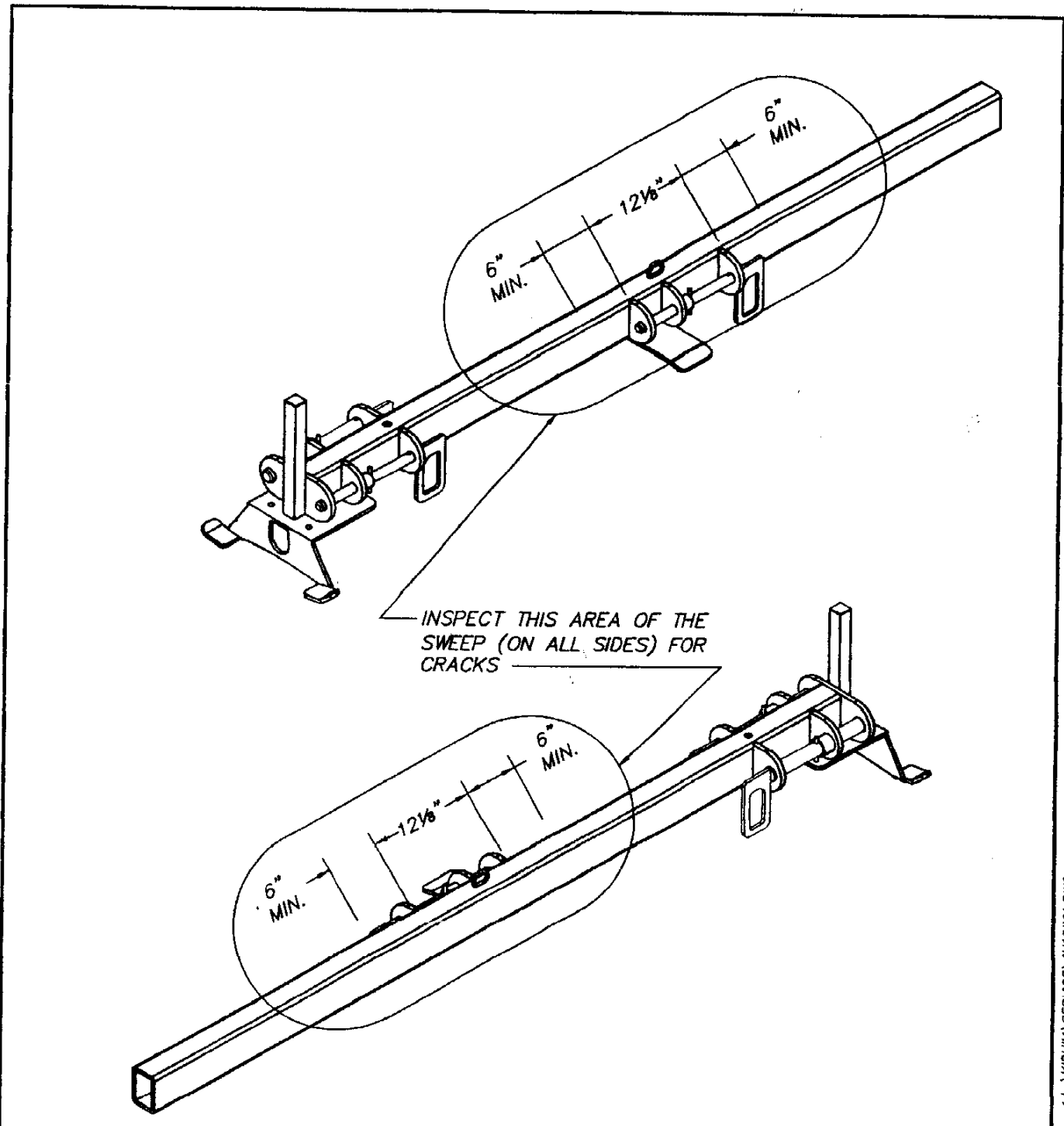
SERVICE BULLETIN

DATE: APRIL 22, 2002
RIDE: SILVER STREAK/ FAMILY HIMALAYA
SUBJECT: SWEEP INSPECTION (16 SWEEPS)
COMPLIANCE: MANDATORY
COMPLETION DATE: IMMEDIATELY

One Family Himalaya has experienced cracking on one sweep where the inside seat attachment is welded. Review the drawing on the reverse side and inspect for cracking around the sweep. If cracks are indicated contact Wisdom Industries at 800-634-6907 for repair or replacement of the sweep before continuing operation.

TO INSPECT FOR CRACKS

1. Clean area on each sweep where the inside seat attachment is welded. All 4 sides of sweep. (See Drawing)
2. Visually inspect 6" each side of the attachment for cracks on all 4 sides of the tubes.
3. Follow the visual inspection with magnaflex or dye penetrant.
4. If cracks are found contact Wisdom Industries before operating the ride.
5. Repeat for the other 15 sweeps.
6. Repeat inspection on a semi annual basis




WISDOM INDUSTRIES Merino, CO 80741

APPROVED BY:

DESCRIPTION: **SWEEP INSPECTION**

SCALE: 3/4" = 1'-0"

EQUIPMENT: **KIDDIE HIMALAYA**

DRAWN BY: **JJR**

DATE: 04/22/02
DRAWING NUMBER: 4H 105

MAY 29 2002 - 07:51:55 ✓ 1-1 WINDUJ1 ESD:MPCT:44100001 RUNA