

ZAMPERLA INC.  
49 Fanny Road  
Parsippany, New Jersey 07054-0598  
USA  
Phone: 973 334 8133 Fax: 973 334 6880

Bulletin No: 97 LS2  
Release Date: 12/8/97  
Effective Date: 12/8/97  
Supersedes: 97 LS1  
Completion Date: Before riding passengers  
Page: 1 of 2

## SERVICE BULLETIN

Ride Manufacturer: Zamperla Inc.	Affected Production Dates: All
Ride Name: Lolli Swing	Affected Serial Nos.: All
Model Number: Lolli Swing	

**Abstract Of Issue:**

Cracks have been found in the welds located at the center column base plate junction and in the lower center frame structure. See areas indicated on the accompanying diagram.

**Reason For Release:**

Same.

**Action To Be Taken:**

Magnetic particle testing by a certified NDT technician

**Detail Of Issue:**

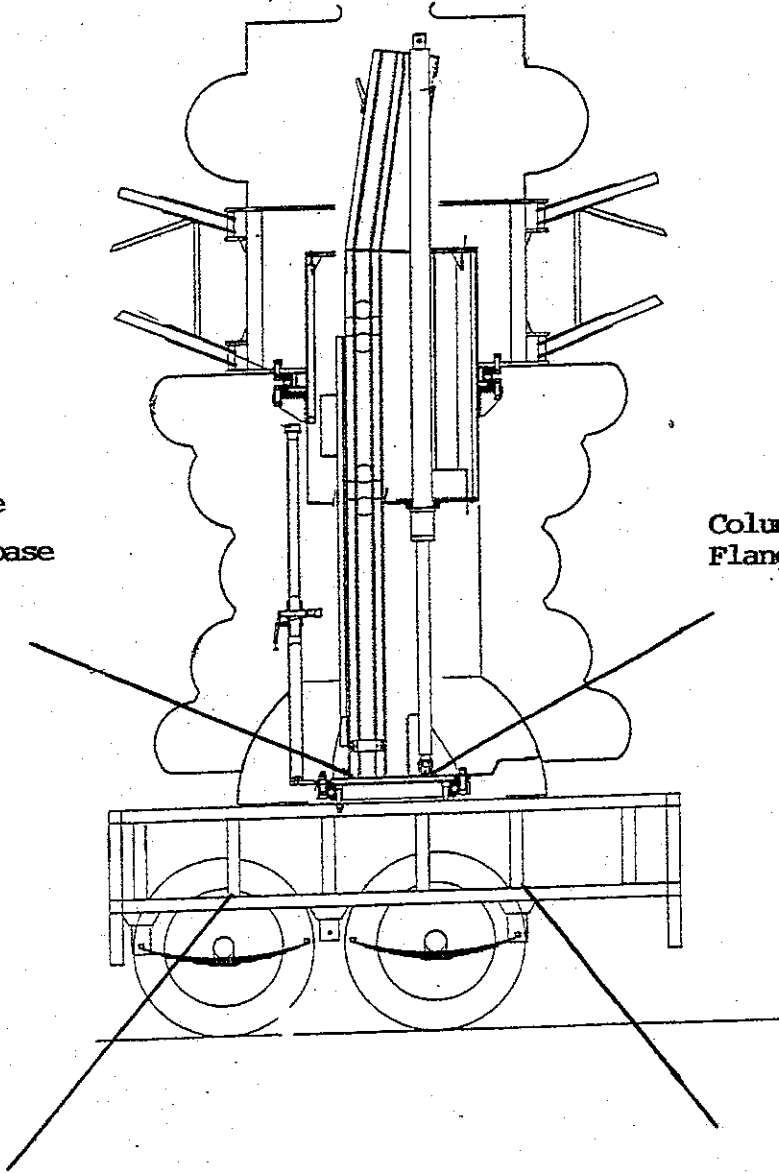
If cracks have been detected in the above mentioned welds and confirmed, please contact Zamperla Inc. for Notification of repair procedure.

**Future Action To Be Taken:**

Magnetic particle testing by a certified NDT technician annually.

TAB.  
TAV.  
ed.

ASSIEME  
ASSEMBLY



Inspect the column flange joint welds here at the base

Column joint Flange welds

Inspect the lower frame welds here

LOWER FRAMES WELDS