



Bulletin No: 2008 PS01
Release Date: 23 June 2008
Effective Date: 23 June 2008
Supersedes:
Completion Date: As soon as possible
Page: 1 of 2

SERVICE BULLETIN

Ride Manufacturer: Zamperla SPA	Affected Production Dates: all
Ride Name: Power Surge	Affected Serial Nos.: all
Model Number: all	

Abstract Of Issue:
Based on the development of cracks found in the field, additional maintenance is required.

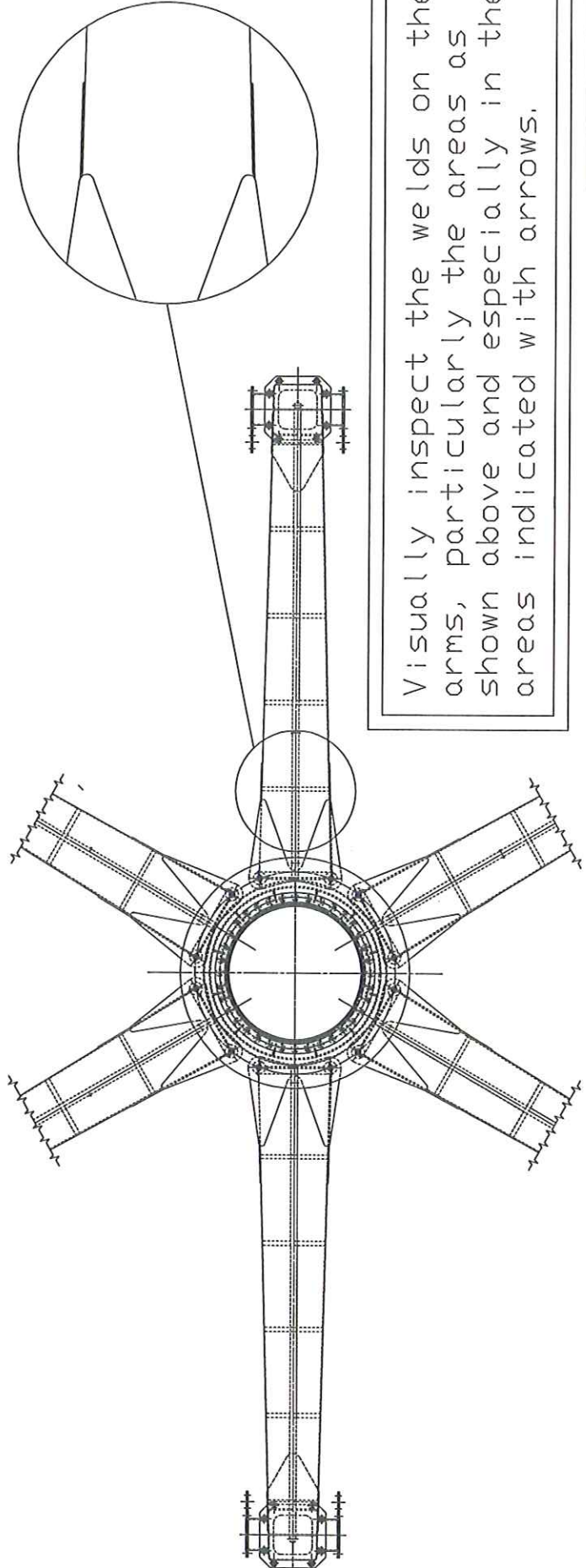
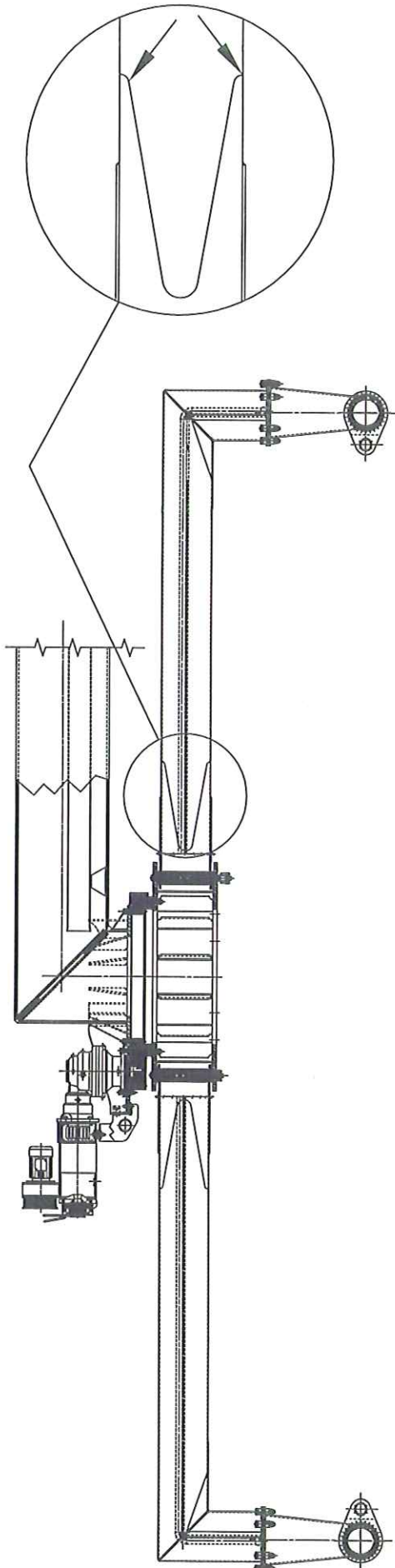
Reason For Release:
Based on the development of cracks found in the field, additional maintenance is required.

Action To Be Taken:
Monthly visually inspect the welds on the arms, particularly the areas as shown in the attached drawing.
Inspections have to be carried out by removing the decorative light panels fixed to the arms.

Detail Of Issue:
See attached drawing.

Future Action To Be Taken:
If some suspect areas (crack, wear on paint, etc.) are found during the above inspections, perform the following:

1. Stop immediately the operation of the ride.
2. Carry out NDT (magnetic particle or equivalent) control.
3. Contact Zamperla in order to allow an appropriate evaluation of the problem.



Visually inspect the welds on the arms, particularly the areas as shown above and especially in the areas indicated with arrows.