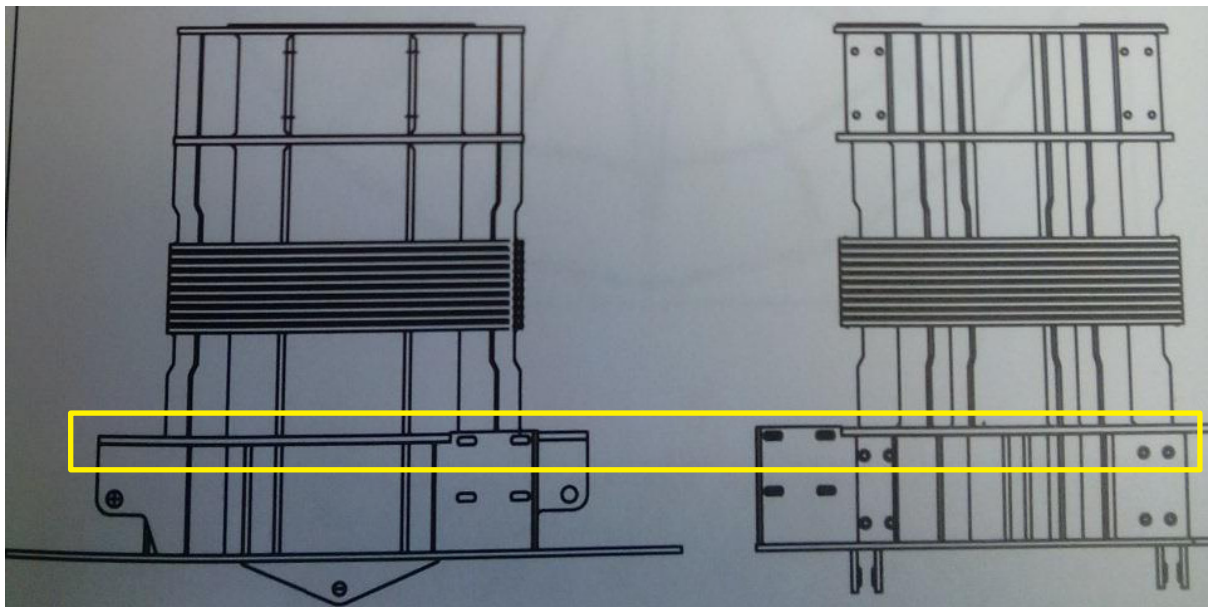


407.

Lamborghini Wave Swinger cracking

We have received a report from a UK registered inspection body that numerous areas of cracking have been found on the fixed outer basket of a Wave Swinger (2012) manufactured by Lamborghini, by means of both visual and NDE inspection.

The defects were located in the welds that join the vertical gussets to a horizontal plate that locates the slewing ring as indicated in the accompanying diagram.



Committee Members: Mr. D Dadswell (Chairman), Mr. A Mellor (Secretary), Mr. P Smith, Mr. J Green, Mr. D Cox, Mr. M Thirkettle, Mr. I Davies, Mr. J Shilling & Mr. D Inman

www.naflic.co.uk

Supported By:



Lamborghini Wave Swinger cracking



Committee Members: Mr. D Dadswell (Chairman), Mr. A Mellor (Secretary), Mr. P Smith, Mr. J Green, Mr. D Cox, Mr. M Thirkettle, Mr. I Davies, Mr. J Shilling & Mr. D Inman

www.naflic.co.uk

Supported By:

