



CHANCE RIDES MANUFACTURING, INC.
4200 Walker
Wichita, KS 67277-2328
U.S.A.
Phone: 1-316-942-7411 • FAX: 1-316-942-7416
Website: www.chancerides.com
E-mail: rides@chancerides.com

Bulletin No:	B403CRM198-0
Release Date:	February 4, 2016
Effective Date:	February 4, 2016
Supersedes:	N / A
Completion Date:	See Text
Page:	1 of 3

SERVICE BULLETIN

Ride Manufacturer: CHANCE RIDES MANUFACTURING, INC.
CHANCE RIDES, INC.

Affected Production Dates: All

Ride Name: 36-FOOT CARROUSEL (Model 404)
36-FOOT PTC CARROUSEL (Model 416)
36-FOOT DOUBLE DECKER CARROUSEL (Model 420)
50-FOOT CARROUSEL (Model 405)

Affected Serial Nos.: All Units

Model No.: 404, 416, 420, and 405

Abstract of Issue:
Horse Hook Retainer

Reason For Release:
Chance Rides Manufacturing, Inc. has become aware of a failure of a CARROUSEL crankshaft. Failure of a crankshaft can result in the broken portion of the crankshaft falling. This can result in personal injury to passengers or bystanders.

Monthly inspection of all crankshafts is vital in preventing such failures. Inspection procedures are described in the appropriate *CARROUSEL Service Manual* and service bulletins.

Additionally, Chance Rides Manufacturing, Inc. has developed a horse hook retainer. In the event of a crankshaft failure, this part will secure the broken portion of the crankshaft to the horse hook and prevent it from falling.

Action to be Taken:

All owner/operators of the above noted amusement rides are required to order and install the horse hook retainers within 60 days of the release date of this service bulletin. Order the horse hook retainers and fasteners specified in this bulletin.

The parts are offered at a reduced cost if ordered within 60 days of the release date of this service bulletin. Instructions for installing the parts are detailed on the following pages of this bulletin.

Observe all safety information contained in the manufacturer's manuals. Make available this bulletin and all related technical information to personnel using the equipment.

Chance Rides Manufacturing, Inc. issues notifications for the benefit of owners of amusement rides manufactured by Chance Rides Manufacturing, Inc. As a service to the industry, and in the interest of employee and public safety, Chance Rides Manufacturing, Inc. also issues notifications for the benefit of owners of amusement ride equipment for which the manufacturer no longer exists, such as the Allan Herschell Company, Chance Manufacturing Co., Inc., Chance Rides, Inc., etc. In doing so, Chance Rides Manufacturing, Inc. does not assume liability for losses associated with amusement ride equipment built by manufacturers other than Chance Rides Manufacturing, Inc.



CHANCE RIDES MANUFACTURING, INC.
4200 Walker
Wichita, KS 67277-2328
U.S.A.
Phone: 1-316-942-7411 • FAX: 1-316-942-7416
Website: www.chancerides.com
E-mail: rides@chancerides.com

Bulletin No: B403CRM198-0
 Release Date: February 4, 2016
 Effective Date: February 4, 2016
 Supersedes: N / A
 Completion Date: See Text
 Page: 2 of 3

Ride Manufacturer: CHANCE RIDES MANUFACTURING, INC. Affected Production Dates: All
 CHANCE RIDES, INC.

Ride Name: 36-FOOT CARROUSEL (Model 404) Affected Serial Nos.: All Units
 36-FOOT PTC CARROUSEL (Model 416)
 36-FOOT DOUBLE DECKER CARROUSEL (Model 420)
 50-FOOT CARROUSEL (Model 405)

Model No.: 404, 416, 420, and 405

Detail of Issue

Horse Hook Retainer Installation Instructions

The retainer must be installed on the horse hook for every figure on the outside row, except for “standers“ (figures which do not jump). Determine how many crankshafts require the horse hook retainer and order the correct quantity of each part. The following are required for EACH CRANKSHAFT.

<u>Part Number</u>	<u>Component</u>	<u>Quantity Required Per Crankshaft</u>
404-146-001	RETAINER - Horse Hook	1
60768600	CAPSCREW - Hex Head 3/8-16 x 3-1/2" Long (Grade 5)	1
64804600	FLEXLOC NUT 3/8-16	1
68553100	HARDENED FLAT WASHER - 3/8	2

Use the following procedure to install the horse hook retainer.

- Using a helper and suitable blocking, support the figure to prevent it from dropping when the capscrew and nut for the horse hook is removed. Remove the fasteners and leave the horse hook in place.

New fasteners are required, so discard the existing fasteners.
- Install the horse hook retainer facing the “open” side of the horse hook as shown, using the longer capscrew provided. A hardened flat washer must be installed under the nut and under the head of the capscrew. Do not over-tighten the nut.
- Slowly rotate the carrousel while inspecting the horse hooks. Look for interference of the new parts with the ceiling panels or any other stationary components.

NOTE: *If a horse is removed from the carrousel, do not completely remove the retainer from the horse hook. Loosen the nut enough to swing the retainer down and out of the way to allow the horse to be removed. When the horse is installed again, swing the retainer into position and tighten the nut.*



CHANCE RIDES MANUFACTURING, INC.
4200 Walker
Wichita, KS 67277-2328
U.S.A.
Phone: 1-316-942-7411 • FAX: 1-316-942-7416
Website: www.chancerides.com
E-mail: rides@chancerides.com

Bulletin No:	B403CRM198-0
Release Date:	February 4, 2016
Effective Date:	February 4, 2016
Supersedes:	N / A
Completion Date:	See Text
Page:	3 of 3

Ride Manufacturer: CHANCE RIDES MANUFACTURING, INC.
CHANCE RIDES, INC.

Affected Production Dates: All

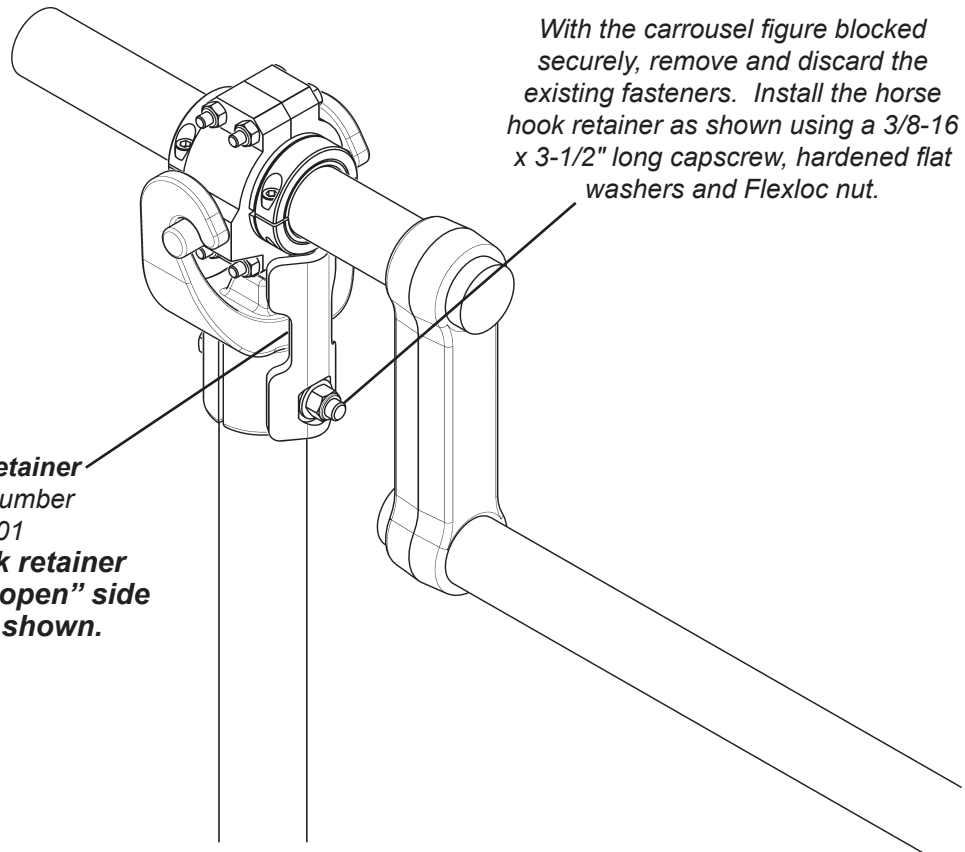
Ride Name: 36-FOOT CARROUSEL (Model 404)
36-FOOT PTC CARROUSEL (Model 416)
36-FOOT DOUBLE DECKER CARROUSEL (Model 420)
50-FOOT CARROUSEL (Model 405)

Affected Serial Nos.: All Units

Model No.: 404, 416, 420, and 405

Detail of Issue (continued):

Outboard end of crankshaft



With the carousel figure blocked securely, remove and discard the existing fasteners. Install the horse hook retainer as shown using a 3/8-16 x 3-1/2" long cap screw, hardened flat washers and Flexloc nut.

Horse Hook Retainer
Chance Part Number
404-146-001

The horse hook retainer must be on the "open" side of the hook as shown.

IMPORTANT: *The hook can face either inward or outward, but all hooks must face the same way.*